



# SPRINTER TRADE PACKAGES

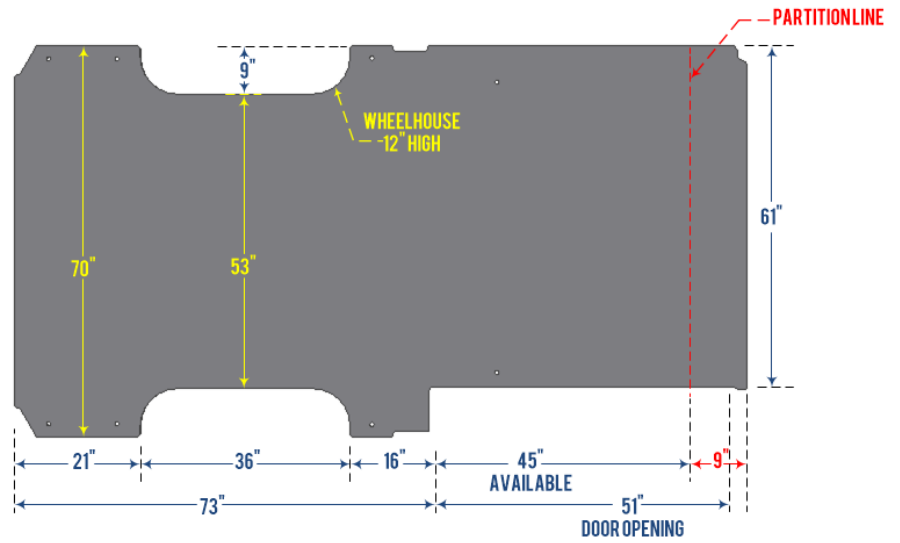
**VEHICLE SHELVING SYSTEMS**



## FLOOR LAYOUT PLANS

### 144" WHEELBASE

INSIDE ROOF HEIGHT  
REGULAR ROOF: 66.5"  
HIGH ROOF: 77"



### 170" WHEELBASE

INSIDE ROOF HEIGHT  
HIGH ROOF: 77"



### 170" EXTENDED WHEELBASE

INSIDE ROOF HEIGHT  
HIGH ROOF: 77"  
SUPER HIGH ROOF: 87"



# MERCEDES-BENZ SPRINTER

SPRINTER 144" WB REGULAR ROOF	4
SPRINTER 144" WB HIGH ROOF	8
SPRINTER 170" WB HIGH ROOF	12
SPRINTER 170" EXTENDED WB HIGH ROOF	16
SPRINTER 170" EXTENDED WB SUPER HIGH ROOF	20
PARTITIONS	24
ACCESSORIES	25

## LEGEND:



APPROXIMATE WEIGHT (LBS)



APPROXIMATE INSTALL TIME (HRS)



SPEED SHIP AVAILABILITY

# TRADE PACKAGES

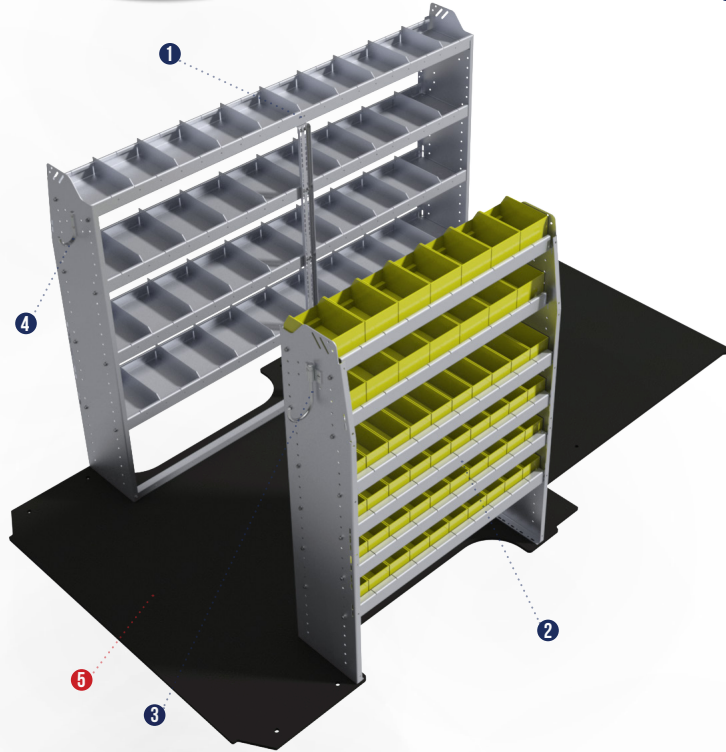


SPRINTER 144" WHEELBASE REGULAR ROOF



60-MS11-C1

**CONTRACTOR PACKAGE**



#	QTY	PART NUMBER	DESCRIPTION
1	1	21-8363-4	PROFILED BACK SHELF UNIT 84"WIDE X 13.5"DEEP X 63"HIGH WITH 4 SHELVES
2	1	23-4363-6	PROFILED BACK BIN SHELF UNIT 43"WIDE X 13.5"DEEP X 63"HIGH WITH 6 SHELVES
3	1	30-HK-SMD	SWIVEL MEDIUM HOOK (4" OPENING)
4	1	30-HK-FMD	FIXED MEDIUM HOOK (3" OPENING)

**OPTIONS**

5	1	31-MS10-XX	--OPTIONAL-- SEE VEHICLE SPECIFIC RIGID FLOORING SYSTEMS SECTION
---	---	------------	--



210



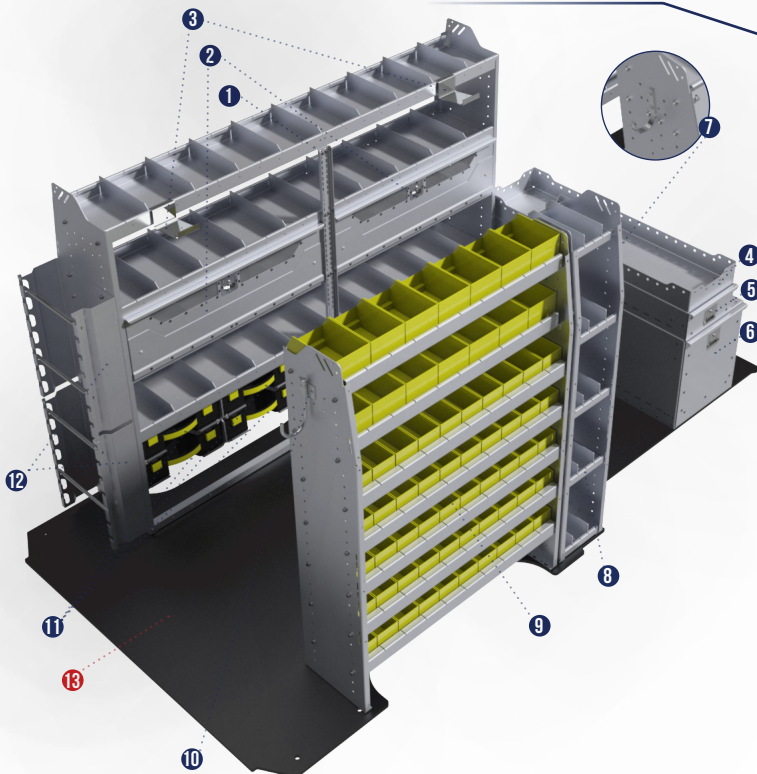
4.1



YES

60-MS11-E1

**ELECTRICAL PACKAGE**



#	QTY	PART NUMBER	DESCRIPTION
1	1	21-8563-4	PROFILED BACK SHELF UNIT 84"WIDE X 15.5"DEEP X 63"HIGH WITH 4 SHELVES
2	1	DO-184	2-SET LOCKING DOOR KIT FOR 84"WIDE SHELVING UNIT
3	1	30-HK-MSL	MOVABLE STEP LADDER SUPPORT
4	1	30-TE-34	TOP EDGE FOR DRAWER CABINET 13.5"WIDE X 48"DEEP
5	1	11-3406-0	DRAWER CABINET 13.5"WIDE X 48"DEEP X 6"HIGH
6	1	11-8420-0	DRAWER CABINET 18"WIDE X 48"DEEP X 20"HIGH
7	1	30-HK-FMD	FIXED MEDIUM HOOK (3" OPENING)
8	1	29-1363-5	PROFILED BACK BOOKSHELF, 11"WIDE X 13.5"DEEP X 63"HIGH WITH 5 SHELVES
9	1	23-4363-7	PROFILED BACK BIN SHELF UNIT 43"WIDE X 13.5"DEEP X 63"HIGH WITH 7 SHELVES
10	1	30-HK-SMD	SWIVEL MEDIUM HOOK (4" OPENING)
11	4	30-CCH-SK	UNDER SHELF CARRY CASE HOLDER W/CASE
12	2	30-CRH-24	CABLE REEL HOLDER UNIT, 15.5"WIDE X 7"DEEP X 24"HIGH

**OPTIONS**

13	1	31-MS10-XX	--OPTIONAL-- SEE VEHICLE SPECIFIC RIGID FLOORING SYSTEMS SECTION
----	---	------------	--



454

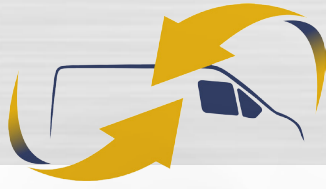


9.1



YES

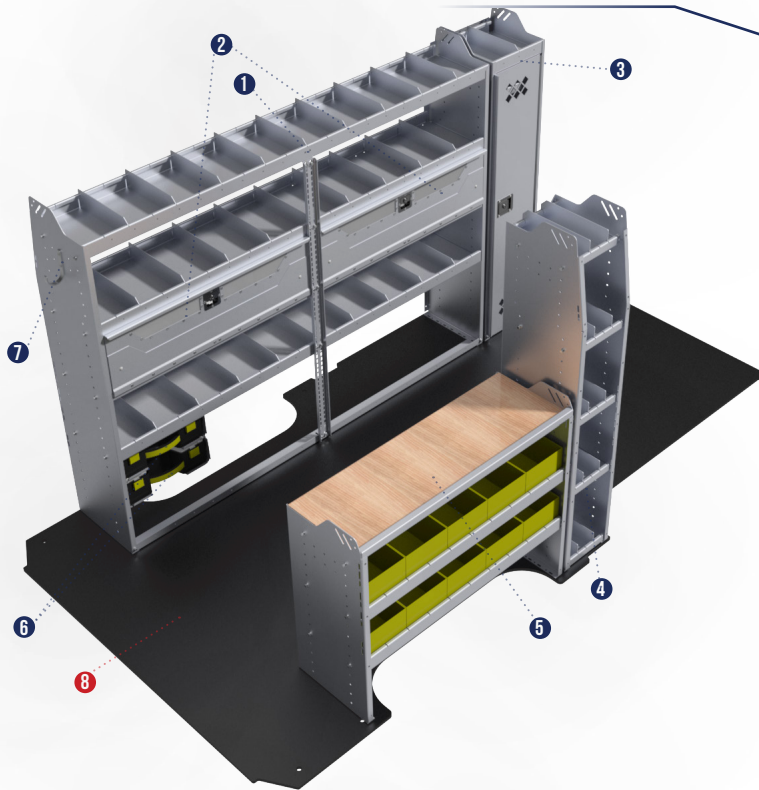
# TRADE PACKAGES



## SPRINTER 144" WHEELBASE REGULAR ROOF

### 60-MS11-S1

### SERVICE PACKAGE



#	QTY	PART NUMBER	DESCRIPTION
1	1	21-8563-4	FILED BACK SHELF UNIT 84"WIDE X 15.5"DEEP X 63"HIGH WITH 4 SHELVES
2	1	DO-184	2-SET LOCKING DOOR KIT FOR 84"WIDE SHELVING UNIT
3	1	13-1563-3	PROFILED BACK LOCKER CABINET 14"WIDE X 15.5"DEEP X 63"HIGH WITH 3 SHELVES AND 2 HOOKS AND HANG ROD
4	1	29-1563-5	PROFILED BACK BOOKSHELF, 11"WIDE X 15.5"DEEP X 63"HIGH WITH 5 SHELVES
5	1	18-4536-6W	WORKBENCH 43"WIDE X 15.5"DEEP X 36"HIGH WITH 2 BIN SHELVES AND A 1.5" THICK HARDWOOD WORKTOP
6	2	30-CCH-SK	UNDER SHELF CARRY CASE HOLDER W/CASE
7	1	30-HK-FMD	FIXED MEDIUM HOOK (3" OPENING)
<b>OPTIONS</b>			
8	1	31-MS10-XX	--OPTIONAL-- SEE VEHICLE SPECIFIC RIGID FLOORING SYSTEMS SECTION



341



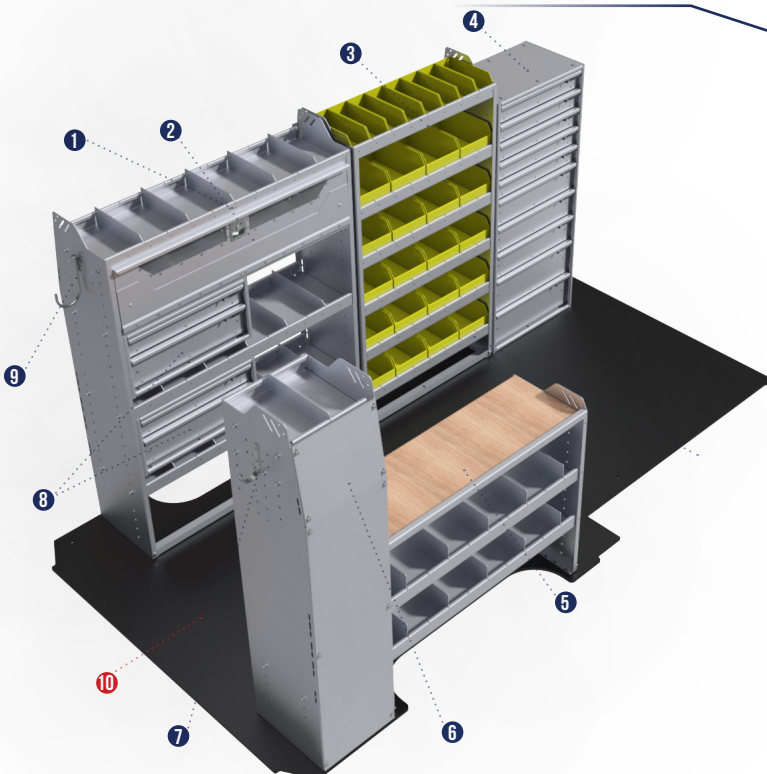
4.1



YES

### 60-MS11-W1

### WORKSTATION PACKAGE



#	QTY	PART NUMBER	DESCRIPTION
1	1	21-4563-4	PROFILED BACK SHELF UNIT 48"WIDE X 15.5"DEEP X 63"HIGH WITH 4 SHELVES
2	1	DO-148	LOCKING DOOR FOR 48"WIDE SHELVING UNIT
3	1	23-3563-6	PROFILED BACK BIN SHELF UNIT 34.5"WIDE X 15.5"DEEP X 63"HIGH WITH 6 SHELVES
4	1	16-2556-532	TOOL DRAWER 24" WIDE X 15.5" DEEP X 55-11/16" HIGH WITH 10 DRAWERS
5	1	18-4536-4W	WORKBENCH 43"WIDE X 15.5"DEEP X 36"HIGH WITH 2 HIGH DIVIDER SHELVES AND A 1.5" THICK HARDWOOD WORKTOP
6	1	13-1563-3	PROFILED BACK LOCKER CABINET 14"WIDE X 15.5"DEEP X 63"HIGH WITH 3 SHELVES AND 2 HOOKS AND HANG ROD
7	1	30-HK-FMD	FIXED MEDIUM HOOK (3" OPENING)
8	2	16-2512-110	TOOL DRAWER 24" WIDE X 15.5" DEEP X 11-11/16" HIGH WITH 2 DRAWERS
9	1	30-HK-SMD	SWIVEL MEDIUM HOOK (4" OPENING)
<b>OPTIONS</b>			
10	1	31-MS10-XX	--OPTIONAL-- SEE VEHICLE SPECIFIC RIGID FLOORING SYSTEMS SECTION



569



5.1



YES

# TRADE PACKAGES

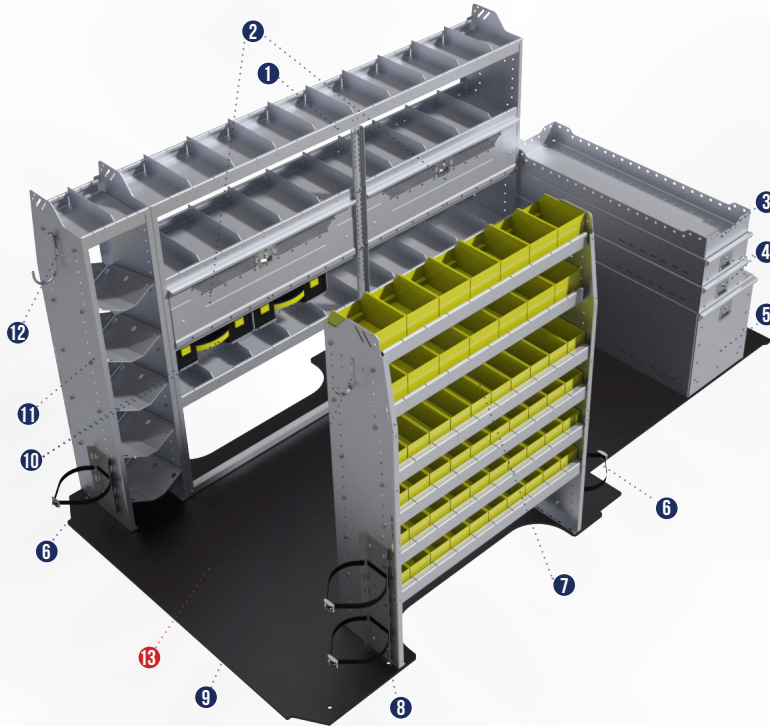


SPRINTER 144" WHEELBASE REGULAR ROOF



## 60-MS11-H1

## HVAC PACKAGE



#	QTY	PART NUMBER	DESCRIPTION
1	1	21-8563-4	PROFILED BACK SHELF UNIT 84"WIDE X 15.5"DEEP X 63"HIGH WITH 4 SHELVES
2	1	DO-184	2-SET LOCKING DOOR KIT FOR 84"WIDE SHELVING UNIT
3	1	30-TE-34	TOP EDGE FOR DRAWER CABINET 13.5"WIDE X 48"DEEP
4	2	11-3406-0	DRAWER CABINET 13.5"WIDE X 48"DEEP X 6"HIGH
5	1	11-8420-0	DRAWER CABINET 18"WIDE X 48"DEEP X 20"HIGH
6	2	30-BH-SM	SMALL BOTTLE HOLDER
7	1	23-4363-6	PROFILED BACK BIN SHELF UNIT 43"WIDE X 13.5"DEEP X 63"HIGH WITH 6 SHELVES
8	1	30-BH-LG	LARGE BOTTLE HOLDER
9	2	30-HK-FMD	FIXED MEDIUM HOOK (3" OPENING)
10	2	30-CCH-SK	UNDER SHELF CARRY CASE HOLDER W/CASE
11	1	33-S563-5	PROFILED BACK REFRIGERANT SHELF UNIT 12.45"WIDE X 15.5"DEEP X 63"HIGH FOR 5 SMALL BOTTLES
12	1	30-HK-SMD	SWIVEL MEDIUM HOOK (4" OPENING)
			<b>OPTIONS</b>
13	1	31-MS10-XX	--OPTIONAL-- SEE VEHICLE SPECIFIC RIGID FLOORING SYSTEMS SECTION



442



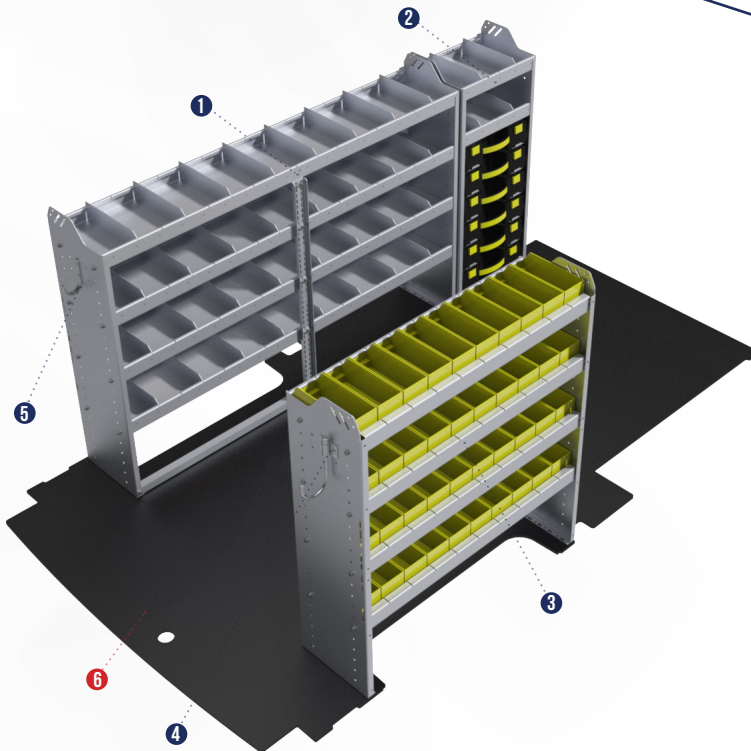
6.6



YES

## 60-MS11-P1

## PLUMBING PACKAGE



#	QTY	PART NUMBER	DESCRIPTION
1	1	21-8563-4	PROFILED BACK SHELF UNIT 84"WIDE X 15.5"DEEP X 63"HIGH WITH 4 SHELVES
2	1	15-1563-8	PROFILED BACK CARRY CASE CABINET 18-7/8"WIDE X 15.5"DEEP X 63"HIGH WITH 8 CARRYCASES
3	1	23-4363-6	PROFILED BACK BIN SHELF UNIT 43"WIDE X 13.5"DEEP X 63"HIGH WITH 6 SHELVES
4	1	30-HK-SMD	SWIVEL MEDIUM HOOK (4" OPENING)
5	1	30-HK-FMD	FIXED MEDIUM HOOK (3" OPENING)
			<b>OPTIONS</b>
6	1	31-MS10-XX	--OPTIONAL-- SEE VEHICLE SPECIFIC RIGID FLOORING SYSTEMS SECTION



315

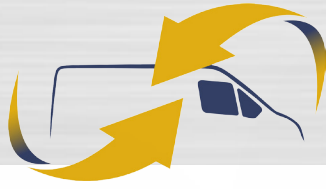


5.1



YES

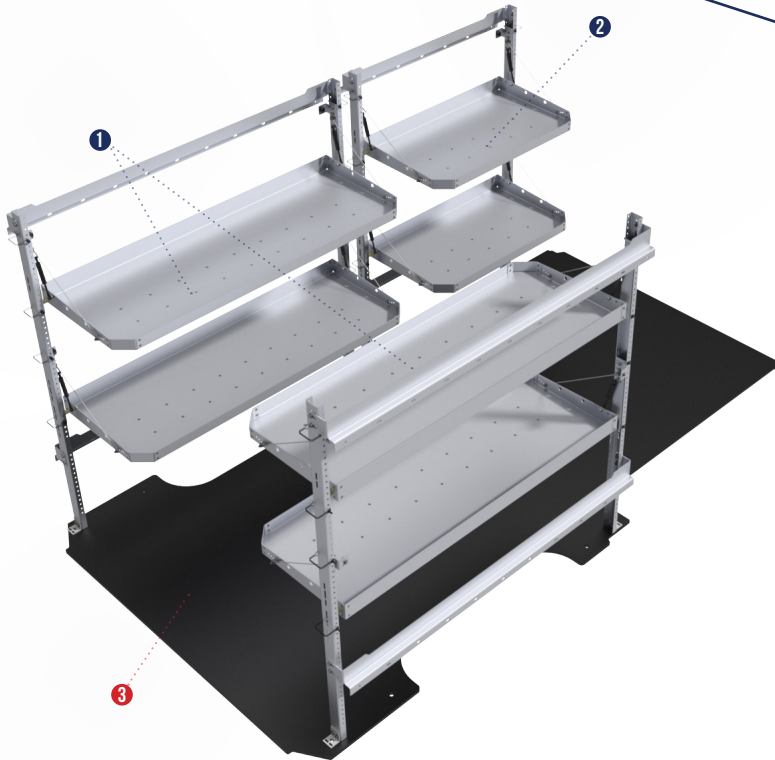
# TRADE PACKAGES



## SPRINTER 144" WHEELBASE REGULAR ROOF

### 60-MS11-D1

### DELIVERY PACKAGE



#	QTY	PART NUMBER	DESCRIPTION
1	2	26-6063-02	2 LEVEL FOLD-UP SHELVING UNIT, 63" WIDE X 21" DEEP X 63" HIGH
2	1	26-4063-02	2 LEVEL FOLD-UP SHELVING UNIT, 41" WIDE X 21" DEEP X 63" HIGH
<b>OPTIONS</b>			
3	1	31-MS10-XX	--OPTIONAL-- SEE VEHICLE SPECIFIC RIGID FLOORING SYSTEMS SECTION



164

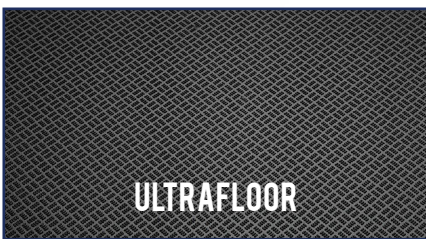


2.6



YES

## RIGID FLOORING OPTIONS FOR MERCEDES-BENZ SPRINTER 144" WB



**ULTRAFLOOR**

**RIGID.** 1/2" thick 100% recycled plastic composite. Extremely rigid floor is the most durable in its class. Long life, enduring extreme temperatures to avoid cracking and splitting. Non-porous surface is liquid resistant to eliminate bacteria and mold formation. Heavy-duty protection adds to end-of-lease resale value. For use under the harshest conditions including forklift loading.



**ULTRAGRIP**

**ANTI-SLIP.** Rigid 1/2" thick 100% rubber coated composite plastic. The most anti-slip rigid floor in its class. Non-porous surface is liquid resistant to eliminate bacteria and mold formation. Heavy-duty protection adds to end-of-lease resale value with added benefit of non-slip surface.



**STABILIGRIP**

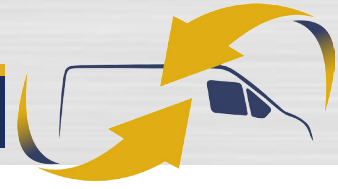
**STABLE.** It is one of the only dimensional stable composite floors available on the market for cargo vehicles. It is engineered to endure all climates and temperatures without bulging or buckling. StabiliGrip is extremely durable, impact resilient, moisture resistant, rot proof, and anti-slip.

PART NUMBER	FLOOR MODEL	# PIECES	TOTAL LENGTH	TOTAL WIDTH	BETWEEN WHEELHOUSES	INSTALL (MIN.)	WEIGHT (LBS.)	OPTIONS	
								SIDE SILL	REAR SILL
31-MS10-12	ULTRAFLOOR	2	129.00 IN.	70.00 IN.	53.00 IN.	20	99	31-MS10-31	31-MS10-41
31-MS10-13	ULTRAFLOOR	3	129.00 IN.	70.00 IN.	53.00 IN.	20	99	31-MS10-31	31-MS10-41
31-MS10-22	ULTRAGRIP	2	129.00 IN.	70.00 IN.	53.00 IN.	20	111	31-MS10-31	31-MS10-41
31-MS10-23	ULTRAGRIP	3	129.00 IN.	70.00 IN.	53.00 IN.	20	111	31-MS10-31	31-MS10-41
31-MS10-01	STABILIGRIP	1	129.00 IN.	70.00 IN.	53.00 IN.	20	121	31-MS10-31	31-MS10-41
31-MS10-02	STABILIGRIP	2	129.00 IN.	70.00 IN.	53.00 IN.	20	121	31-MS10-31	31-MS10-41

# TRADE PACKAGES

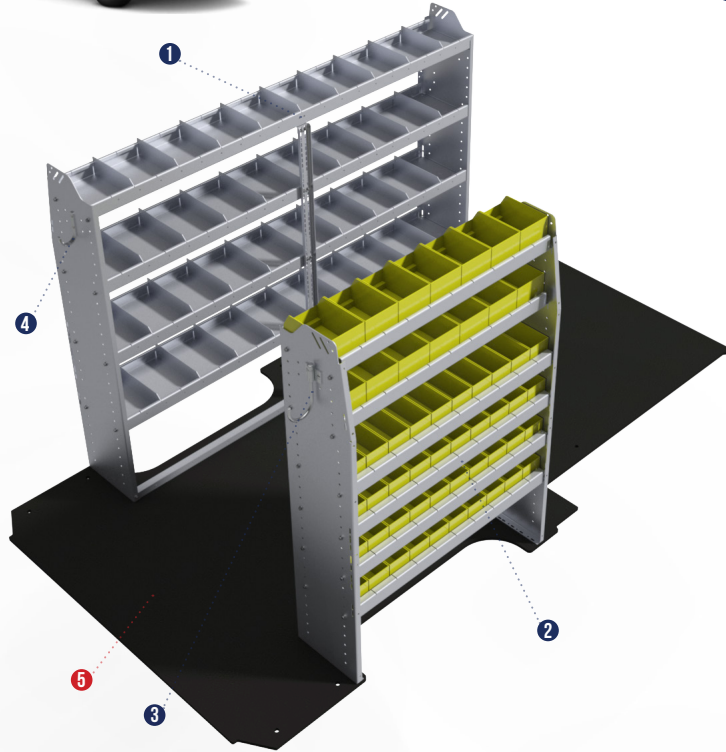


## SPRINTER 144" WHEELBASE HIGH ROOF



### 60-MS12-C1

### CONTRACTOR PACKAGE



#	QTY	PART NUMBER	DESCRIPTION
1	1	21-9363-4	PROFILED BACK SHELF UNIT 96" WIDE X 13.5" DEEP X 63" HIGH WITH 4 SHELVES
2	1	21-4363-5	PROFILED BACK SHELF UNIT 48" WIDE X 13.5" DEEP X 63" HIGH WITH 5 SHELVES
3	1	30-HK-FMD	FIXED MEDIUM HOOK (3" OPENING)
4	1	30-HK-SMD	SWIVEL MEDIUM HOOK (4" OPENING)

#### OPTIONS

5	1	31-MS10-XX	--OPTIONAL-- SEE VEHICLE SPECIFIC RIGID FLOORING SYSTEMS SECTION
---	---	------------	--



210



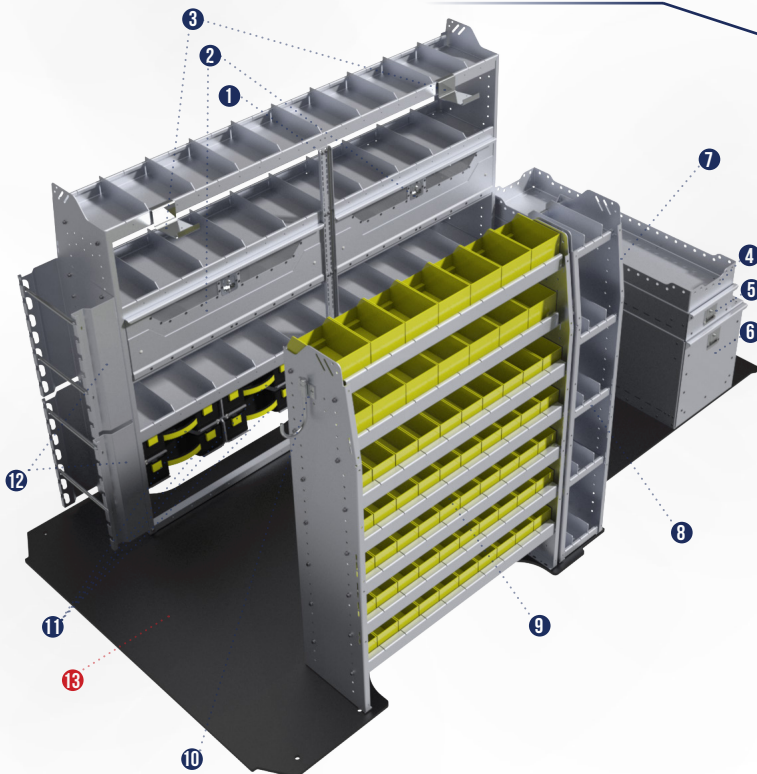
4.1



YES

### 60-MS12-E1

### ELECTRICAL PACKAGE



#	QTY	PART NUMBER	DESCRIPTION
1	1	21-8563-4	PROFILED BACK SHELF UNIT 84" WIDE X 15.5" DEEP X 63" HIGH WITH 4 SHELVES
2	1	D0-184	2-SET LOCKING DOOR KIT FOR 84" WIDE SHELVING UNIT
3	1	30-HK-MSL	MOVABLE STEP LADDER SUPPORT
4	1	30-TE-34	TOP EDGE FOR DRAWER CABINET 13.5" WIDE X 48" DEEP
5	1	11-3406-0	DRAWER CABINET 13.5" WIDE X 48" DEEP X 6" HIGH
6	1	11-8420-0	DRAWER CABINET 18" WIDE X 48" DEEP X 20" HIGH
7	1	30-HK-FMD	FIXED MEDIUM HOOK (3" OPENING)
8	1	29-1363-5	PROFILED BACK BOOKSHELF, 11" WIDE X 13.5" DEEP X 63" HIGH WITH 5 SHELVES
9	1	23-4363-7	PROFILED BACK BIN SHELF UNIT 43" WIDE X 13.5" DEEP X 63" HIGH WITH 7 SHELVES
10	1	30-HK-SMD	SWIVEL MEDIUM HOOK (4" OPENING)
11	4	30-CCH-SK	UNDER SHELF CARRY CASE HOLDER W/CASE
12	2	30-CRH-24	CABLE REEL HOLDER UNIT, 15.5" WIDE X 7" DEEP X 24" HIGH

#### OPTIONS

13	1	31-MS10-XX	--OPTIONAL-- SEE VEHICLE SPECIFIC RIGID FLOORING SYSTEMS SECTION
----	---	------------	--



454



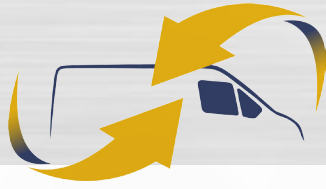
4.3



YES



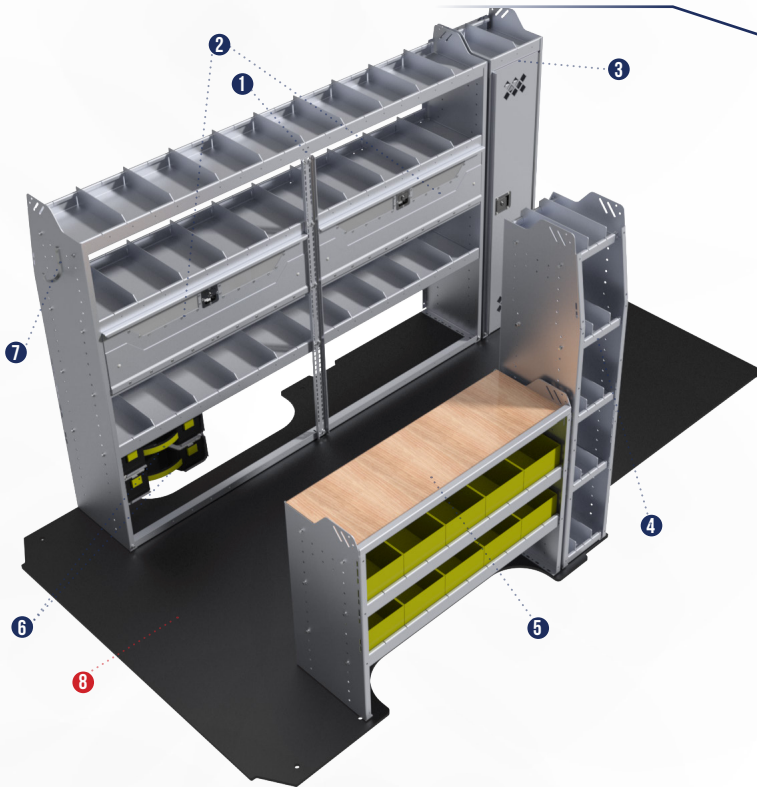
# TRADE PACKAGES



## SPRINTER 144" WHEELBASE HIGH ROOF

### 60-MS12-S1

### SERVICE PACKAGE



#	QTY	PART NUMBER	DESCRIPTION
1	1	21-8563-4	PROFILED BACK SHELF UNIT 84" WIDE X 15.5" DEEP X 63" HIGH WITH 4 SHELVES
2	1	DO-184	2-SET LOCKING DOOR KIT FOR 84" WIDE SHELVING UNIT
3	1	13-1563-3	PROFILED BACK LOCKER CABINET 14" WIDE X 15.5" DEEP X 63" HIGH WITH 3 SHELVES AND 2 HOOKS AND HANG ROD
4	1	29-1563-5	PROFILED BACK BOOKSHELF, 11" WIDE X 15.5" DEEP X 63" HIGH WITH 5 SHELVES
5	1	18-4536-6W	FIXED MEDIUM HOOK (3" OPENING)
6	2	30-CCH-SK	UNDER SHELF CARRY CASE HOLDER W/CASE
7	1	30-HK-FMD	FIXED MEDIUM HOOK (3" OPENING)
<b>OPTIONS</b>			
8	1	31-MS10-XX	--OPTIONAL-- SEE VEHICLE SPECIFIC RIGID FLOORING SYSTEMS SECTION

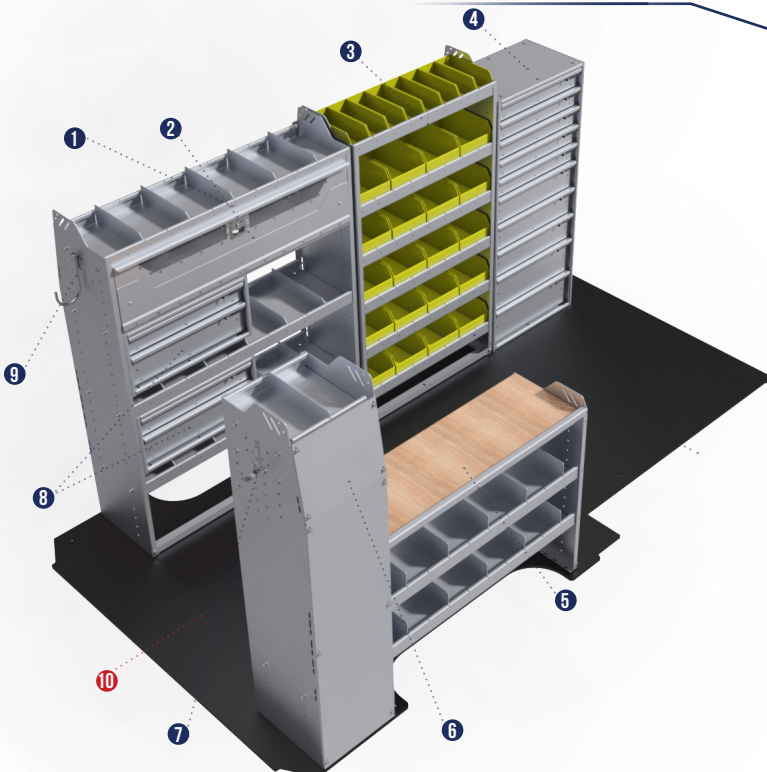
434

4.1

YES

### 60-MS12-W1

### WORKSTATION PACKAGE



#	QTY	PART NUMBER	DESCRIPTION
1	1	21-4563-4	PROFILED BACK SHELF UNIT 48" WIDE X 15.5" DEEP X 63" HIGH WITH 4 SHELVES
2	1	DO-148	LOCKING DOOR FOR 48" WIDE SHELVING UNIT
3	1	23-3563-6	PROFILED BACK BIN SHELF UNIT 34.5" WIDE X 15.5" DEEP X 63" HIGH WITH 6 SHELVES
4	1	16-2556-532	TOOL DRAWER 24" WIDE X 15.5" DEEP X 55-11/16" HIGH WITH 10 DRAWERS
5	1	18-4536-4W	WORKBENCH 43" WIDE X 15.5" DEEP X 36" HIGH WITH 2 HIGH DIVIDER SHELVES AND A 1.5" THICK HARDWOOD WORKTOP
6	1	13-1563-3	PROFILED BACK LOCKER CABINET 14" WIDE X 15.5" DEEP X 63" HIGH WITH 3 SHELVES AND 2 HOOKS AND HANG ROD
7	1	30-HK-FMD	FIXED MEDIUM HOOK (3" OPENING)
8	2	16-2512-110	TOOL DRAWER 24" WIDE X 15.5" DEEP X 11-11/16" HIGH WITH 2 DRAWERS
9	1	30-HK-SMD	SWIVEL MEDIUM HOOK (4" OPENING)
<b>OPTIONS</b>			
10	1	31-MS10-XX	--OPTIONAL-- SEE VEHICLE SPECIFIC RIGID FLOORING SYSTEMS SECTION

569

5.1

YES

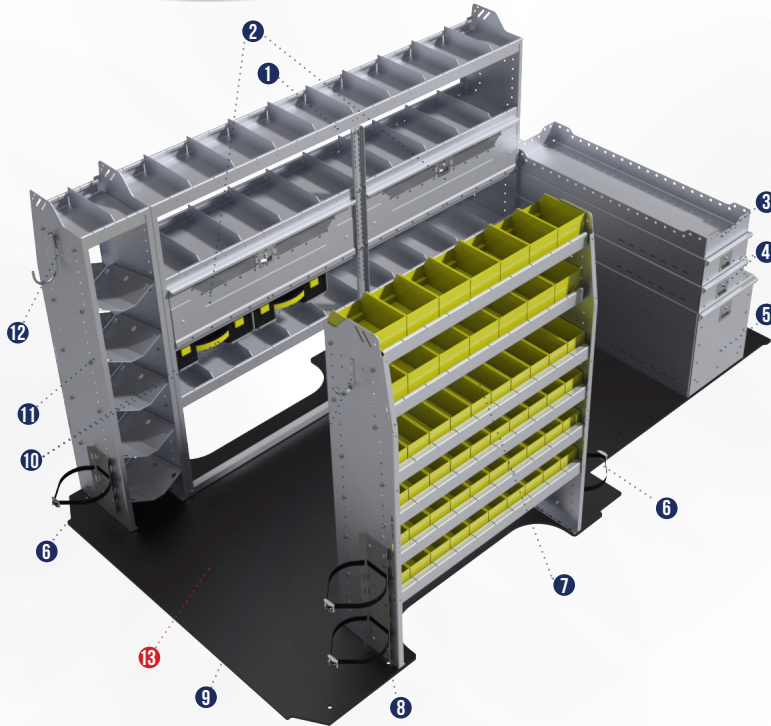
# TRADE PACKAGES

## SPRINTER 144" WHEELBASE HIGH ROOF



### 60-MS12-H1

### HVAC PACKAGE



#	QTY	PART NUMBER	DESCRIPTION
1	1	21-8563-4	PROFIED BACK SHELF UNIT 84" WIDE X 15.5" DEEP X 63" HIGH WITH 4 SHELVES
2	1	DO-184	2-SET LOCKING DOOR KIT FOR 84" WIDE SHELVING UNIT
3	1	30-TE-34	TOP EDGE FOR DRAWER CABINET 13.5" WIDE X 48" DEEP
4	2	11-3406-0	DRAWER CABINET 13.5" WIDE X 48" DEEP X 6" HIGH
5	1	11-8420-0	DRAWER CABINET 18" WIDE X 48" DEEP X 20" HIGH
6	1	30-BH-SM	SMALL BOTTLE HOLDER
7	1	23-4363-6	PROFIED BACK BIN SHELF UNIT 43" WIDE X 13.5" DEEP X 63" HIGH WITH 6 SHELVES
8	1	30-BH-LG	LARGE BOTTLE HOLDER
9	2	30-HK-FMD	FIXED MEDIUM HOOK (3" OPENING)
10	2	30-CCH-SK	UNDER SHELF CARRY CASE HOLDER W/CASE
11	1	33-S563-5	PROFIED BACK REFRIGERANT SHELF UNIT 12.45" WIDE X 15.5" DEEP X 63" HIGH FOR 5 SMALL BOTTLES
12	1	30-HK-SMD	SWIVEL MEDIUM HOOK (4" OPENING)
			<b>OPTIONS</b>
13	1	31-MS10-XX	--OPTIONAL-- SEE VEHICLE SPECIFIC RIGID FLOORING SYSTEMS SECTION



442



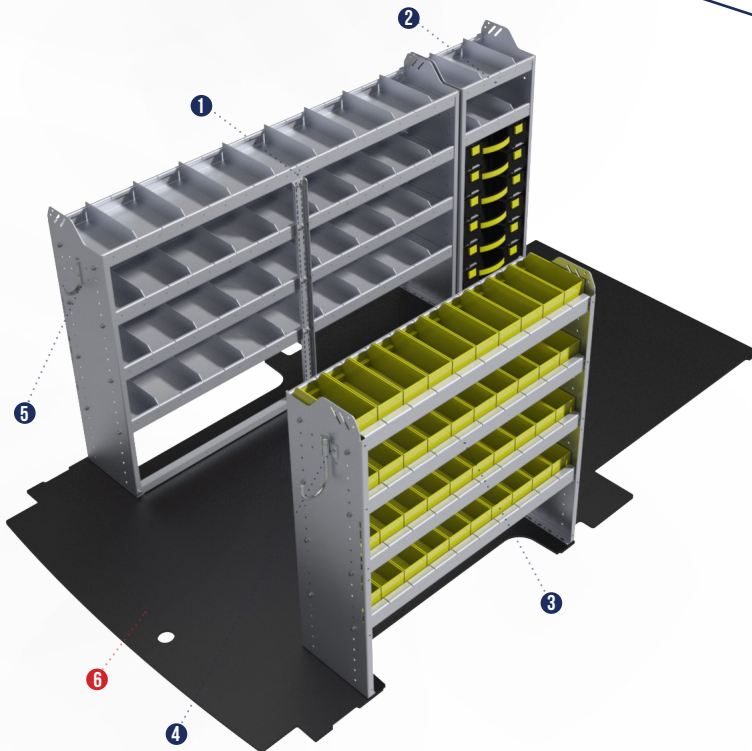
6.6



YES

### 60-MS12-P1

### PLUMBING PACKAGE



#	QTY	PART NUMBER	DESCRIPTION
1	1	21-8563-4	PROFIED BACK SHELF UNIT 84" WIDE X 15.5" DEEP X 63" HIGH WITH 4 SHELVES
2	1	15-1563-8	PROFIED BACK CARRY CASE CABINET 18-7/8" WIDE X 15.5" DEEP X 63" HIGH WITH 8 CARRYCASES
3	1	23-4363-6	PROFIED BACK BIN SHELF UNIT 43" WIDE X 13.5" DEEP X 63" HIGH WITH 6 SHELVES
4	1	30-HK-SMD	SWIVEL MEDIUM HOOK (4" OPENING)
5	1	30-HK-FMD	FIXED MEDIUM HOOK (3" OPENING)
			<b>OPTIONS</b>
6	1	31-MS10-XX	--OPTIONAL-- SEE VEHICLE SPECIFIC RIGID FLOORING SYSTEMS SECTION



315

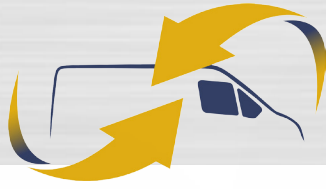


5.1



YES

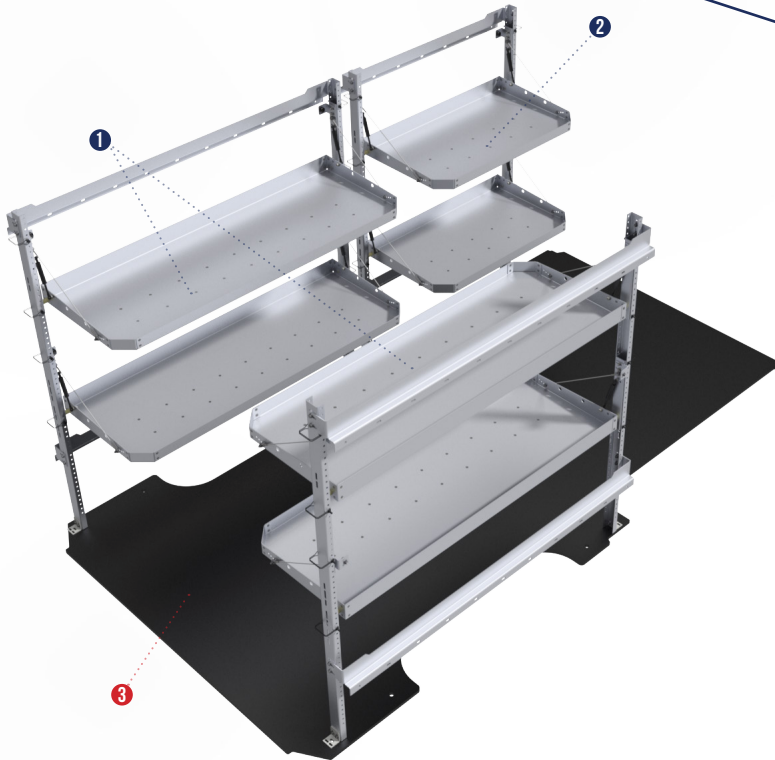
# TRADE PACKAGES



## SPRINTER 144" WHEELBASE HIGH ROOF

### 60-MS12-D1

### DELIVERY PACKAGE



#	QTY	PART NUMBER	DESCRIPTION
1	2	26-5063-02	2 LEVEL FOLD-UP SHELVING UNIT, 53" WIDE X 21" DEEP X 63" HIGH
2	1	26-4063-02	2 LEVEL FOLD-UP SHELVING UNIT, 41" WIDE X 21" DEEP X 63" HIGH
<b>OPTIONS</b>			
3	1	31-FT10-XX	--OPTIONAL-- SEE VEHICLE SPECIFIC RIGID FLOORING SYSTEMS SECTION



164



2.6



YES

## RIGID FLOORING OPTIONS FOR MERCEDES-BENZ SPRINTER 144" WB



**ULTRAFLOOR**

**RIGID.** 1/2" thick 100% recycled plastic composite. Extremely rigid floor is the most durable in its class. Long life, enduring extreme temperatures to avoid cracking and splitting. Non-porous surface is liquid resistant to eliminate bacteria and mold formation. Heavy-duty protection adds to end-of-lease resale value. For use under the harshest conditions including forklift loading.



**ULTRAGRIP**

**ANTI-SLIP.** Rigid 1/2" thick 100% rubber coated composite plastic. The most anti-slip rigid floor in its class. Non-porous surface is liquid resistant to eliminate bacteria and mold formation. Heavy-duty protection adds to end-of-lease resale value with added benefit of non-slip surface.

**NEW PRODUCT**



**STABILIGRIP**

**STABLE.** It is one of the only dimensional stable composite floors available on the market for cargo vehicles. It is engineered to endure all climates and temperatures without bulging or buckling. StabiliGrip is extremely durable, impact resilient, moisture resistant, rot proof, and anti-slip.

PART NUMBER	FLOOR MODEL	# PIECES	TOTAL LENGTH	TOTAL WIDTH	BETWEEN WHEELHOUSES	INSTALL (MIN.)	WEIGHT (LBS.)	OPTIONS	
								SIDE SILL	REAR SILL
31-MS10-12	ULTRAFLOOR	2	129.00 IN.	70.00 IN.	53.00 IN.	20	99	31-MS10-31	31-MS10-41
31-MS10-13	ULTRAFLOOR	3	129.00 IN.	70.00 IN.	53.00 IN.	20	99	31-MS10-31	31-MS10-41
31-MS10-22	ULTRAGRIP	2	129.00 IN.	70.00 IN.	53.00 IN.	20	111	31-MS10-31	31-MS10-41
31-MS10-23	ULTRAGRIP	3	129.00 IN.	70.00 IN.	53.00 IN.	20	111	31-MS10-31	31-MS10-41
31-MS10-01	STABILIGRIP	1	129.00 IN.	70.00 IN.	53.00 IN.	20	121	31-MS10-31	31-MS10-41
31-MS10-02	STABILIGRIP	2	129.00 IN.	70.00 IN.	53.00 IN.	20	121	31-MS10-31	31-MS10-41

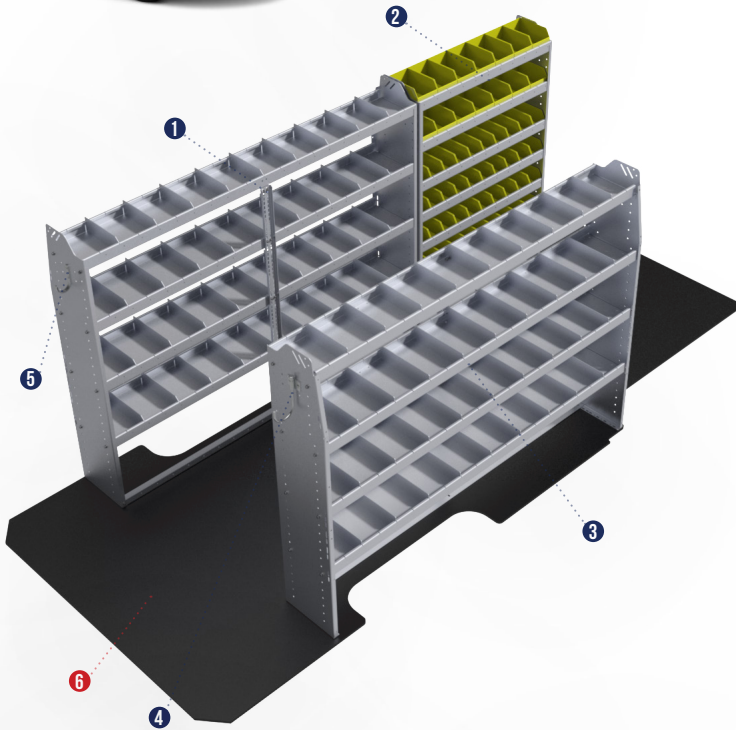
# TRADE PACKAGES

SPRINTER 170" WHEELBASE HIGH ROOF



## 60-MS22-C1

### CONTRACTOR PACKAGE



#	QTY	PART NUMBER	DESCRIPTION
1	1	21-8363-4	PROFILED BACK SHELF UNIT 84"WIDE X 13.5"DEEP X 63"HIGH WITH 4 SHELVES
2	1	23-4363-6	PROFILED BACK BIN SHELF UNIT 43"WIDE X 13.5"DEEP X 63"HIGH WITH 6 SHELVES
3	1	21-8563-4	PROFILED BACK SHELF UNIT 84"WIDE X 15.5"DEEP X 63"HIGH WITH 4 SHELVES
4	1	30-HK-SMD	SWIVEL MEDIUM HOOK (4" OPENING)
5	1	30-HK-FMD	FIXED MEDIUM HOOK (3" OPENING)
<b>OPTIONS</b>			
6	1	31-MS20-XX	--OPTIONAL-- SEE VEHICLE SPECIFIC RIGID FLOORING SYSTEMS SECTION



315



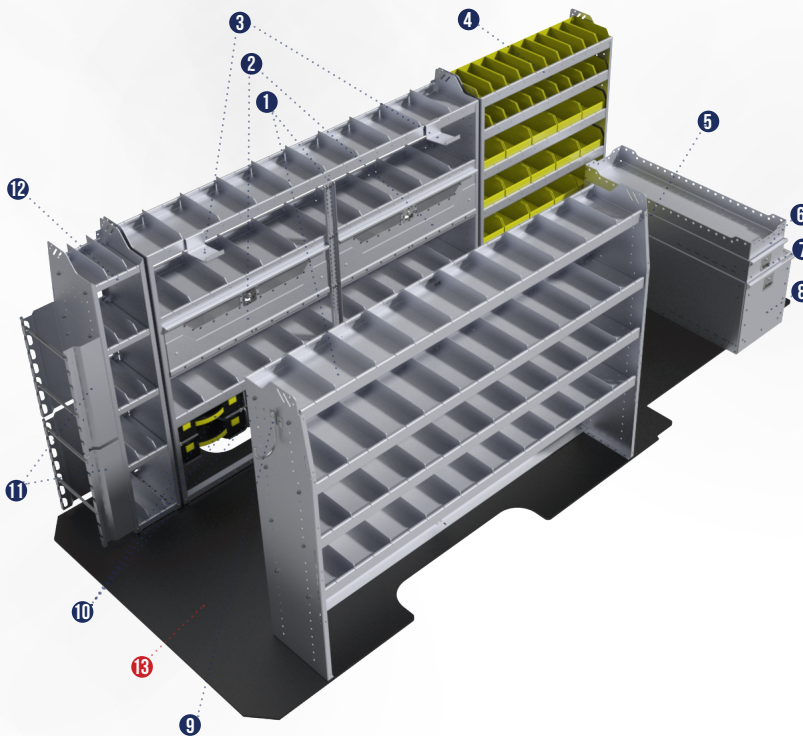
3.7



YES

## 60-MS22-E1

### ELECTRICAL PACKAGE



#	QTY	PART NUMBER	DESCRIPTION
1	2	21-8563-4	PROFILED BACK SHELF UNIT 84"WIDE X 15.5"DEEP X 63"HIGH WITH 4 SHELVES
2	1	DD-184	2-SET LOCKING DOOR KIT FOR 84"WIDE SHELVING UNIT
3	1	30-HK-MSL	MOVABLE STEP LADDER SUPPORT
4	1	23-4563-6	PROFILED BACK BIN SHELF UNIT 43"WIDE X 15.5"DEEP X 63"HIGH WITH 6 SHELVES
5	1	30-HK-FMD	FIXED MEDIUM HOOK (3" OPENING)
6	1	30-TE-34	TOP EDGE FOR DRAWER CABINET 13.5"WIDE X 48"DEEP
7	1	11-3406-0	DRAWER CABINET 13.5"WIDE X 48"DEEP X 6"HIGH
8	1	11-8420-0	DRAWER CABINET 18"WIDE X 48"DEEP X 20"HIGH
9	1	30-HK-SMD	SWIVEL MEDIUM HOOK (4" OPENING)
10	4	30-CCH-SK	UNDER SHELF CARRY CASE HOLDER W/CASE
11	2	30-CRH-24	CABLE REEL HOLDER UNIT, 15.5"WIDE X 7"DEEP X 24"HIGH
12	1	29-1563-5	PROFILED BACK BOOKSHELF, 11"WIDE X 15.5"DEEP X 63"HIGH WITH 5 SHELVES
<b>OPTIONS</b>			
13	1	31-MS20-XX	--OPTIONAL-- SEE VEHICLE SPECIFIC RIGID FLOORING SYSTEMS SECTION



568



7.5



YES

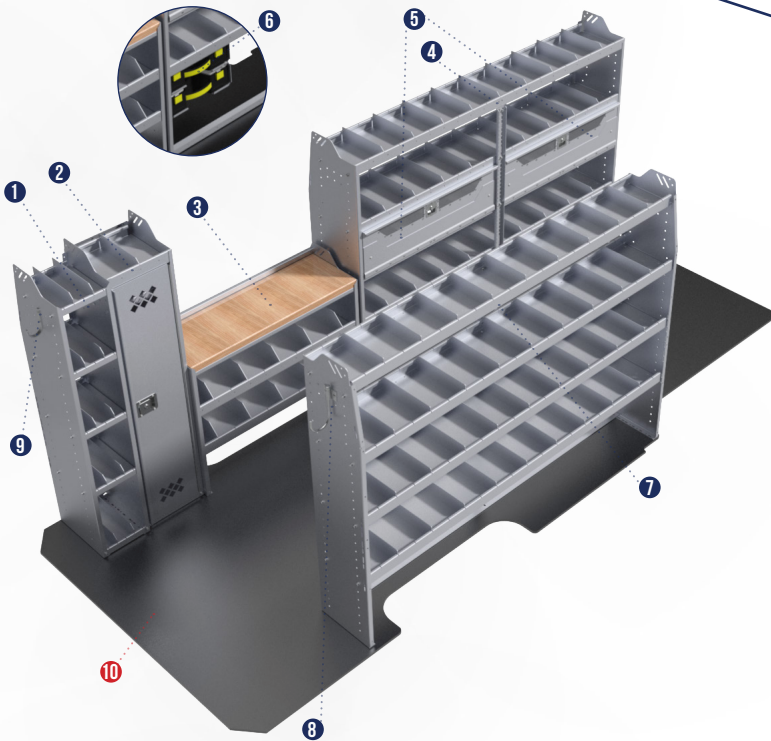
# TRADE PACKAGES



## SPRINTER 170" WHEELBASE HIGH ROOF

### 60-MS22-S1

### SERVICE PACKAGE



#	QTY	PART NUMBER	DESCRIPTION
1	1	29-1563-5	PROFILED BACK BOOKSHELF, 11" WIDE X 15.5" DEEP X 63" HIGH WITH 5 SHELVES
2	1	13-1563-3	PROFILED BACK LOCKER CABINET 14" WIDE X 15.5" DEEP X 63" HIGH WITH 3 SHELVES AND 2 HOOKS AND HANG ROD
3	1	18-4536-4W	WORKBENCH 43" WIDE X 15.5" DEEP X 36" HIGH WITH 2 HIGH DIVIDER SHELVES AND A 1.5" THICK HARDWOOD WORKTOP
4	1	21-8563-4	PROFILED BACK SHELF UNIT 84" WIDE X 15.5" DEEP X 63" HIGH WITH 4 SHELVES
5	1	DO-184	2-SET LOCKING DOOR KIT FOR 84" WIDE SHELVING UNIT
6	2	30-CCH-SK	UNDER SHELF CARRY CASE HOLDER W/CASE
7	1	21-8363-4	PROFILED BACK SHELF UNIT 84" WIDE X 13.5" DEEP X 63" HIGH WITH 4 SHELVES
8	1	30-HK-SMD	SWIVEL MEDIUM HOOK (4" OPENING)
9	1	30-HK-FMD	FIXED MEDIUM HOOK (3" OPENING)
<b>OPTIONS</b>			
10	1	31-MS20-XX	--OPTIONAL-- SEE VEHICLE SPECIFIC RIGID FLOORING SYSTEMS SECTION

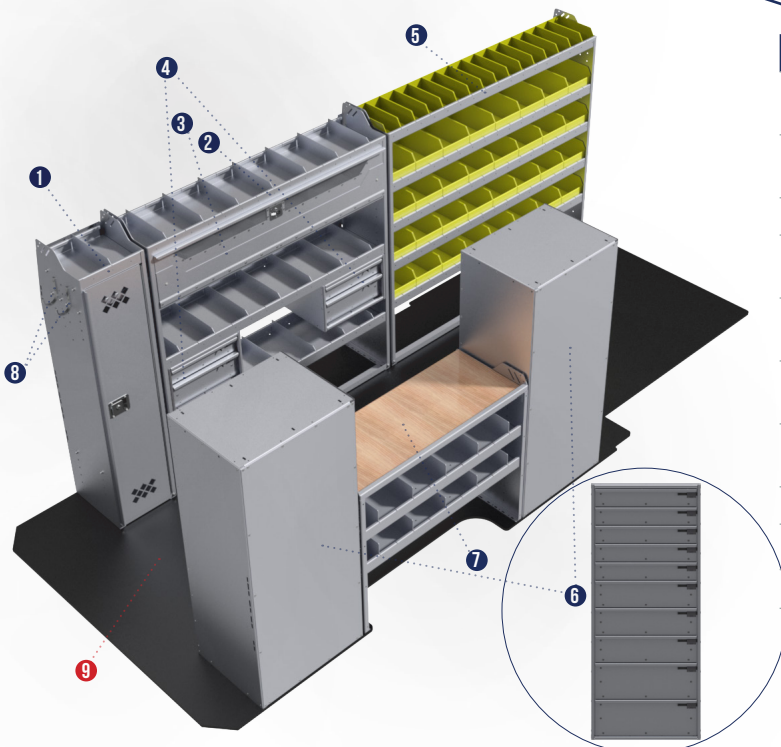
IS 440

6.3

YES

### 60-MS22-W1

### WORKSTATION PACKAGE



#	QTY	PART NUMBER	DESCRIPTION
1	1	13-1563-3	PROFILED BACK LOCKER CABINET 14" WIDE X 15.5" DEEP X 63" HIGH WITH 3 SHELVES AND 2 HOOKS AND HANG ROD
2	1	21-6563-4	PROFILED BACK SHELF UNIT 60" WIDE X 15.5" DEEP X 63" HIGH WITH 4 SHELVES
3	1	DO-148	LOCKING DOOR FOR 48" WIDE SHELVING UNIT
4	2	16-1512-110	TOOL DRAWER 24" WIDE X 15.5" DEEP X 11-11/16" HIGH WITH 2 DRAWERS
5	1	23-6563-5	PROFILED BACK BIN SHELF UNIT 69.125" WIDE X 15.5" DEEP X 63" HIGH WITH 5 SHELVES
6	2	16-2856-532	TOOL DRAWER 24" WIDE X 15.5" DEEP X 55-11/16" HIGH WITH 10 DRAWERS
7	1	18-4836-4W	WORKBENCH 43" WIDE X 18.5" DEEP X 36" HIGH WITH 2 HIGH DIVIDER SHELVES AND A 1.5" THICK HARDWOOD WORKTOP
8	2	30-HK-FMD	FIXED MEDIUM HOOK (3" OPENING)
<b>OPTIONS</b>			
9	1	31-MS20-XX	--OPTIONAL-- SEE VEHICLE SPECIFIC RIGID FLOORING SYSTEMS SECTION

IS 840

6.9

YES

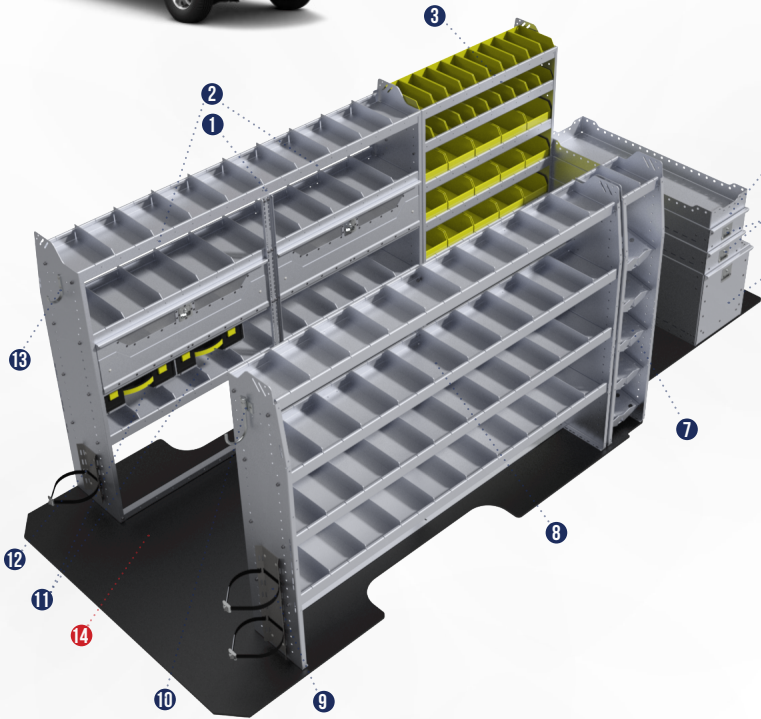
# TRADE PACKAGES

SPRINTER 170" WHEELBASE HIGH ROOF



## 60-MS22-H1

## HVAC PACKAGE



#	QTY	PART NUMBER	DESCRIPTION
1	1	21-8563-4	PROFILED BACK SHELF UNIT 84"WIDE X 15.5"DEEP X 63"HIGH WITH 4 SHELVES
2	1	DO-184	2-SET LOCKING DOOR KIT FOR 84"WIDE SHELVING UNIT
3	1	23-4563-6	PROFILED BACK BIN SHELF UNIT 43"WIDE X 15.5"DEEP X 63"HIGH WITH 6 SHELVES
4	1	30-TE-34	UNDER SHELF CARRY CASE HOLDER W/CASE
5	2	11-3406-0	DRAWER CABINET 13.5"WIDE X 48"DEEP X 6"HIGH
6	1	11-8420-0	DRAWER CABINET 18"WIDE X 48"DEEP X 20"HIGH
7	1	33-S363-5	PROFILED BACK REFRIGERANT SHELF UNIT 12.45"WIDE X 13.5"DEEP X 63"HIGH FOR 5 SMALL BOTTLES
8	1	21-8363-4	PROFILED BACK SHELF UNIT 84"WIDE X 13.5"DEEP X 63"HIGH WITH 4 SHELVES
9	1	30-BH-LG	LARGE BOTTLE HOLDER
10	1	30-HK-SMD	SWIVEL MEDIUM HOOK (4" OPENING)
11	2	30-CCH-SK	UNDER SHELF CARRY CASE HOLDER W/CASE
12	1	30-BH-SM	SMALL BOTTLE HOLDER
13	1	30-HK-FMD	FIXED MEDIUM HOOK (3" OPENING)
<b>OPTIONS</b>			
14	1	31-MS20-XX	--OPTIONAL-- SEE VEHICLE SPECIFIC RIGID FLOORING SYSTEMS SECTION



559



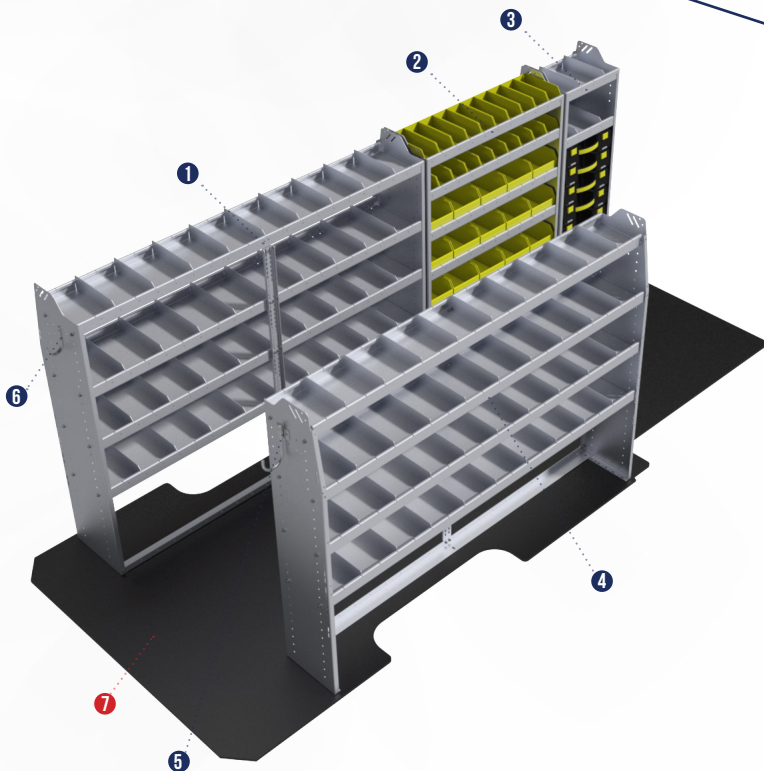
7.4



YES

## 60-MS22-P1

## PLUMBING PACKAGE



#	QTE	# PIÈCE	DESCRIPTION
1	1	21-8563-4	PROFILED BACK SHELF UNIT 84"WIDE X 15.5"DEEP X 63"HIGH WITH 4 SHELVES
2	1	23-4563-6	PROFILED BACK BIN SHELF UNIT 43"WIDE X 15.5"DEEP X 63"HIGH WITH 6 SHELVES
3	1	15-1563-8	PROFILED BACK CARRY CASE CABINET 18-7/8"WIDE X 15.5"DEEP X 63"HIGH WITH 8 CARRYCASES
4	1	21-8363-4	PROFILED BACK SHELF UNIT 84"WIDE X 13.5"DEEP X 63"HIGH WITH 4 SHELVES
5	1	30-HK-SMD	SWIVEL MEDIUM HOOK (4" OPENING)
6	1	30-HK-FMD	FIXED MEDIUM HOOK (3" OPENING)
<b>OPTIONS</b>			
7	1	31-MS20-XX	--OPTIONAL-- SEE VEHICLE SPECIFIC RIGID FLOORING SYSTEMS SECTION



437



4.7



YES

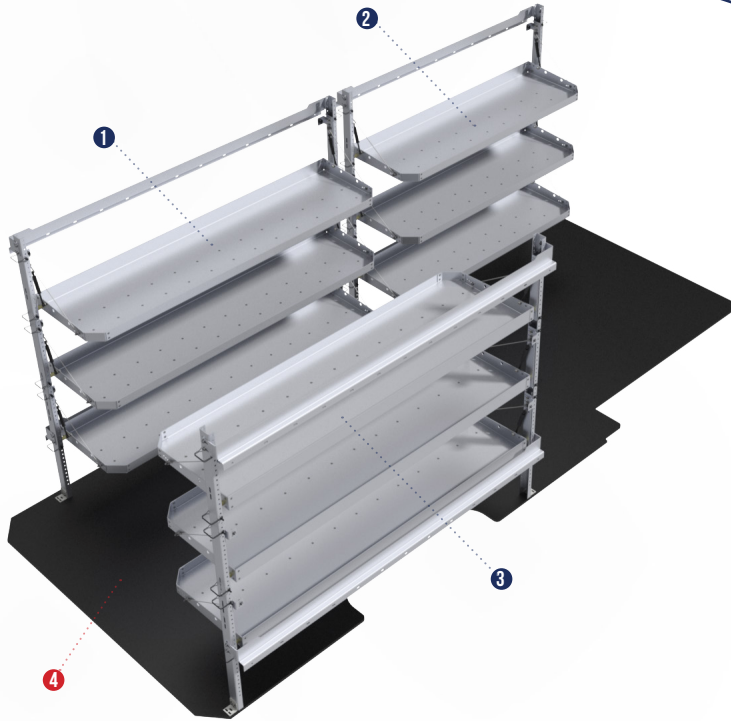
# TRADE PACKAGES



## SPRINTER 170" WHEELBASE HIGH ROOF

### 60-MS22-D1

### DELIVERY PACKAGE



#	QTÉ	# PIÈCE	DESCRIPTION
1	1	26-7063-30	3 LEVEL FOLD-UP SHELVING UNIT, 77" WIDE X 18" DEEP X 63" HIGH
2	1	26-6063-30	3 LEVEL FOLD-UP SHELVING UNIT, 63" WIDE X 18" DEEP X 63" HIGH
3	1	26-7063-03	3 LEVEL FOLD-UP SHELVING UNIT, 77" WIDE X 21" DEEP X 63" HIGH
<b>OPTIONS</b>			
4	1	31-MS20-XX	--OPTIONAL-- SEE VEHICLE SPECIFIC RIGID FLOORING SYSTEMS SECTION



185



4.1



YES

## RIGID FLOORING OPTIONS FOR MERCEDES-BENZ SPRINTER 170" WB



**ULTRAFLOOR**

**RIGID.** 1/2" thick 100% recycled plastic composite. Extremely rigid floor is the most durable in its class. Long life, enduring extreme temperatures to avoid cracking and splitting. Non-porous surface is liquid resistant to eliminate bacteria and mold formation. Heavy-duty protection adds to end-of-lease resale value. For use under the harshest conditions including forklift loading.



**ULTRAGRIP**

**ANTI-SLIP.** Rigid 1/2" thick 100% rubber coated composite plastic. The most anti-slip rigid floor in its class. Non-porous surface is liquid resistant to eliminate bacteria and mold formation. Heavy-duty protection adds to end-of-lease resale value with added benefit of non-slip surface.



**STABILIGRIP**

**STABLE.** It is one of the only dimensional stable composite floors available on the market for cargo vehicles. It is engineered to endure all climates and temperatures without bulging or buckling. StabiliGrip is extremely durable, impact resilient, moisture resistant, rot proof, and anti-slip.

PART NUMBER	FLOOR MODEL	# PIECES	TOTAL LENGTH	TOTAL WIDTH	BETWEEN WHEELHOUSES	INSTALL (MIN.)	WEIGHT (LBS.)	OPTIONS	
								SIDE SILL	REAR SILL
31-MS20-12	ULTRAFLOOR	2	169.50 IN.	70.00 IN.	53.00 IN.	20	135	31-MS20-31	31-MS20-41
31-MS20-13	ULTRAFLOOR	3	169.50 IN.	70.00 IN.	53.00 IN.	20	135	31-MS20-31	31-MS20-41
31-MS20-22	ULTRAGRIP	2	169.50 IN.	70.00 IN.	53.00 IN.	20	151	31-MS20-31	31-MS20-41
31-MS20-23	ULTRAGRIP	3	169.50 IN.	70.00 IN.	53.00 IN.	20	151	31-MS20-31	31-MS20-41
31-MS20-02	STABILIGRIP	2	169.50 IN.	70.00 IN.	53.00 IN.	20	151	31-MS20-31	31-MS20-41
31-MS20-03	STABILIGRIP	3	169.50 IN.	70.00 IN.	53.00 IN.	20	151	31-MS20-31	31-MS20-41

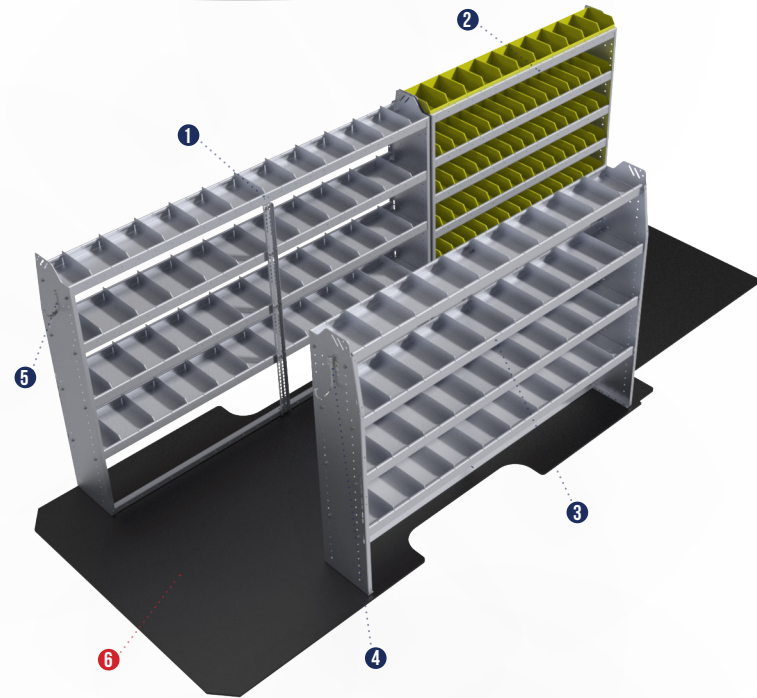
# TRADE PACKAGES

SPRINTER 170" EXTENDED WHEELBASE HIGH ROOF



## 60-MS32-C1

## CONTRACTOR PACKAGE



#	QTY	PART NUMBER	DESCRIPTION
1	1	21-9363-4	PROFILED BACK SHELF UNIT 96"WIDE X 13.5"DEEP X 63"HIGH WITH 4 SHELVES
2	1	23-6363-5	PROFILED BACK BIN SHELF UNIT 69.125"WIDE X 13.5"DEEP X 63"HIGH WITH 5 SHELVES
3	1	21-8363-4	PROFILED BACK BIN SHELF UNIT 67"WIDE X 13.5"DEEP X 63"HIGH WITH 5 SHELVES
4	1	30-HK-SMD	SWIVEL MEDIUM HOOK (4" OPENING)
5	1	30-HK-FMD	FIXED MEDIUM HOOK (3" OPENING)
<b>OPTIONS</b>			
6	1	31-MS30-XX	--OPTIONAL-- SEE VEHICLE SPECIFIC RIGID FLOORING SYSTEMS SECTION



352



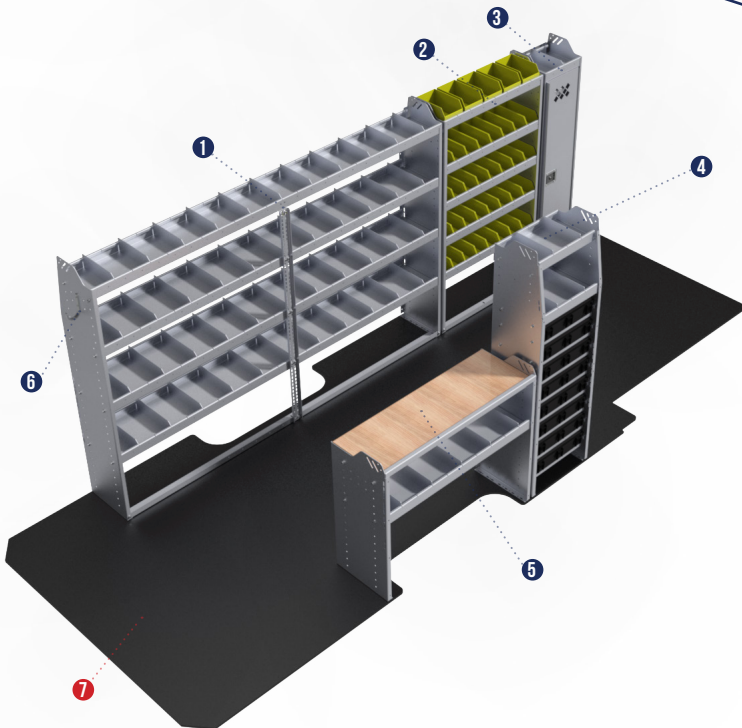
3.7



YES

## 60-MS32-E1

## ELECTRICAL PACKAGE



#	QTY	PART NUMBER	DESCRIPTION
1	1	21-9363-4	PROFILED BACK SHELF UNIT 96"WIDE X 13.5"DEEP X 63"HIGH WITH 4 SHELVES
2	1	23-3363-5	PROFILED BACK BIN SHELF UNIT 34.5"WIDE X 13.5"DEEP X 63"HIGH WITH 5 SHELVES
3	1	13-1363-3	PROFILED BACK LOCKER CABINET 14"WIDE X 13.5"DEEP X 63"HIGH WITH 3 SHELVES AND 2 HOOKS AND HANG ROD
4	1	15-1363-8	PROFILED BACK CARRY CASE CABINET 18-7/8"WIDE X 13.5"DEEP X 63"HIGH WITH 8 CARRYCASES
5	1	18-4536-1W	WORKBENCH 43"WIDE X 15.5"DEEP X 36"HIGH WITH 1 STANDARD DIVIDER SHELF AND A 1.5" THICK HARDWOOD WORKTOP
6	1	30-HK-FMD	FIXED MEDIUM HOOK (3" OPENING)
<b>OPTIONS</b>			
7	1	31-MS30-XX	--OPTIONAL-- SEE VEHICLE SPECIFIC RIGID FLOORING SYSTEMS SECTION



411



4.9



YES



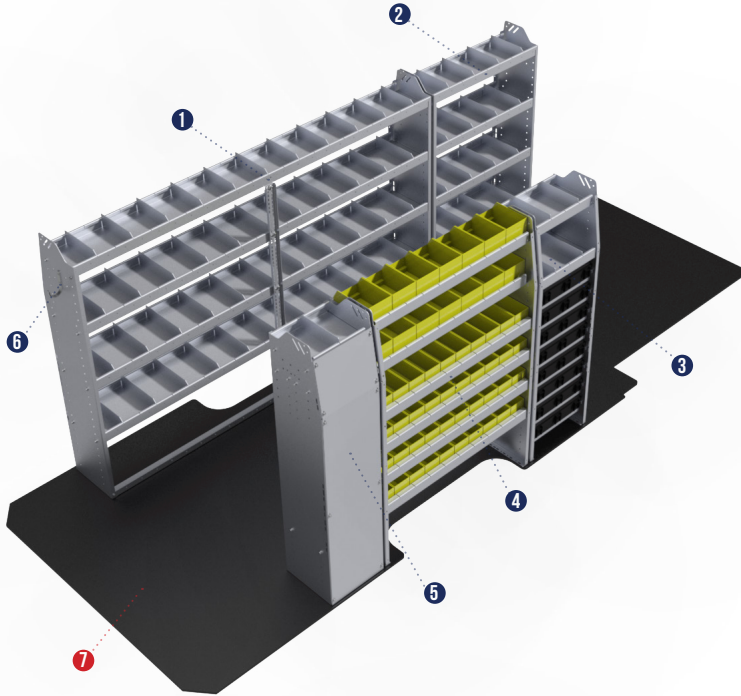
# TRADE PACKAGES



## SPRINTER 170" EXTENDED WHEELBASE HIGH ROOF

### 60-MS32-S1

### SERVICE PACKAGE



#	QTY	PART NUMBER	DESCRIPTION
1	1	21-9363-4	PROFILED BACK SHELF UNIT 84" WIDE X 13.5" DEEP X 63" HIGH WITH 4 SHELVES
2	1	21-3363-4	PROFILED BACK SHELF UNIT 36" WIDE X 13.5" DEEP X 63" HIGH WITH 4 SHELVES
3	1	15-1363-8	PROFILED BACK CARRY CASE CABINET 18-7/8" WIDE X 13.5" DEEP X 63" HIGH WITH 8 CARRYCASES
4	1	23-4363-6	PROFILED BACK BIN SHELF UNIT 43" WIDE X 13.5" DEEP X 63" HIGH WITH 6 SHELVES
5	1	13-1363-3	PROFILED BACK LOCKER CABINET 14" WIDE X 13.5" DEEP X 63" HIGH WITH 3 SHELVES AND 2 HOOKS AND HANG ROD
6	1	30-HK-FMD	FIXED MEDIUM HOOK (3" OPENING)
<b>OPTIONS</b>			
7	1	31-MS30-XX	--OPTIONAL-- SEE VEHICLE SPECIFIC RIGID FLOORING SYSTEMS SECTION

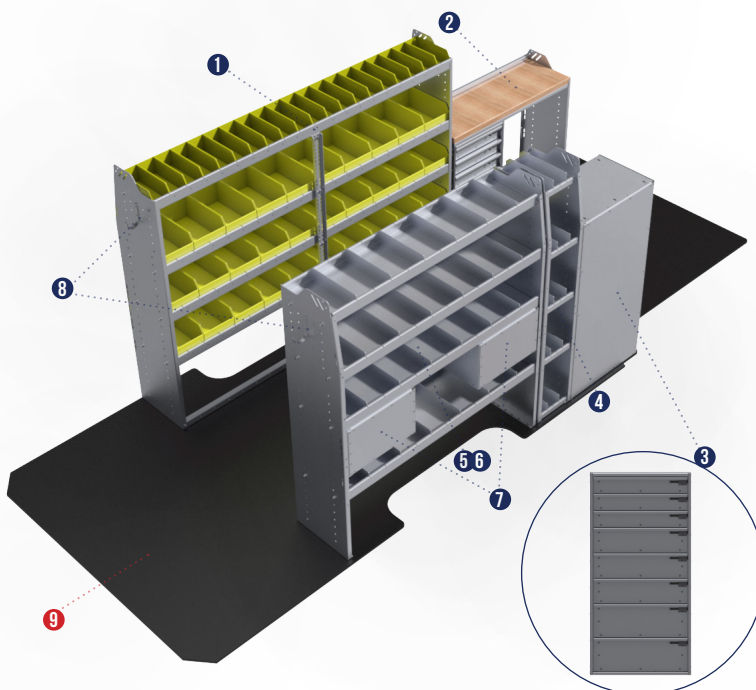
420

4.3

YES

### 60-MS32-W1

### WORKSTATION PACKAGE



#	QTY	PART NUMBER	DESCRIPTION
1	1	23-8563-4	PROFILED BACK BIN SHELF UNIT 86.375" WIDE X 15.5" DEEP X 63" HIGH WITH 4 SHELVES
2	1	18-4536-LD	WORKBENCH 43" WIDE X 15.5" DEEP X 36" HIGH WITH A 6 DRAWER UNIT ON LEFT HAND SIDE
3	1	16-2548-332	TOOL DRAWER 24" WIDE X 15.5" DEEP X 47-11/16" HIGH WITH 8 DRAWERS
4	1	29-1563-5	PROFILED BACK BOOKSHELF, 11" WIDE X 15.5" DEEP X 63" HIGH WITH 5 SHELVES
5	1	21-5563-4	PROFILED BACK SHELF UNIT 56" WIDE X 15.5" DEEP X 63" HIGH WITH 4 SHELVES
6	1	DO-156	LOCKING DOOR FOR 56" WIDE SHELVING UNIT
7	2	16-1512-110	TOOL DRAWER 24" WIDE X 15.5" DEEP X 11-11/16" HIGH WITH 2 DRAWERS
8	2	30-HK-FMD	FIXED MEDIUM HOOK (3" OPENING)
<b>OPTIONS</b>			
9	1	31-MS30-XX	--OPTIONAL-- SEE VEHICLE SPECIFIC RIGID FLOORING SYSTEMS SECTION

636

7.1

YES

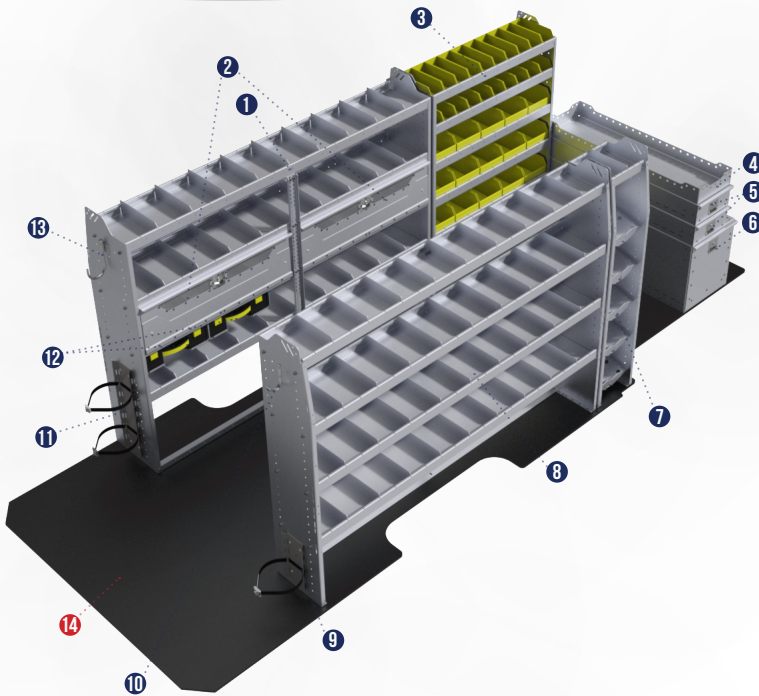
# TRADE PACKAGES

SPRINTER 170" EXTENDED WHEELBASE HIGH ROOF



## 60-MS32-H1

### HVAC PACKAGE



#	QTY	PART NUMBER	DESCRIPTION
1	1	21-8563-4	PROFILED BACK SHELF UNIT 84"WIDE X 15.5"DEEP X 63"HIGH WITH 4 SHELVES
2	1	DO-184	2-SET LOCKING DOOR KIT FOR 84"WIDE SHELVING UNIT
3	1	23-4363-6	PROFILED BACK BIN SHELF UNIT 43"WIDE X 13.5"DEEP X 63"HIGH WITH 6 SHELVES
4	1	30-TE-34	TOP EDGE FOR DRAWER CABINET 13.5"WIDE X 48"DEEP
5	2	11-3406-0	DRAWER CABINET 13.5"WIDE X 48"DEEP X 6"HIGH
6	1	11-8420-0	DRAWER CABINET 18"WIDE X 48"DEEP X 20"HIGH
7	1	33-S363-5	PROFILED BACK REFRIGERANT SHELF UNIT 12.45"WIDE X 13.5"DEEP X 63"HIGH FOR 5 SMALL BOTTLES
8	1	21-8363-4	PROFILED BACK SHELF UNIT 84"WIDE X 13.5"DEEP X 63"HIGH WITH 4 SHELVES
9	1	30-BH-SM	SMALL BOTTLE HOLDER
10	1	30-HK-FMD	FIXED MEDIUM HOOK (3" OPENING)
11	1	30-BH-LG	LARGE BOTTLE HOLDER
12	2	30-CCH-SK	UNDER SHELF CARRY CASE HOLDER W/CASE
13	1	30-HK-SMD	SWIVEL MEDIUM HOOK (4" OPENING)
<b>OPTIONS</b>			
14	1	31-MS30-XX	--OPTIONAL-- SEE VEHICLE SPECIFIC RIGID FLOORING SYSTEMS SECTION



559



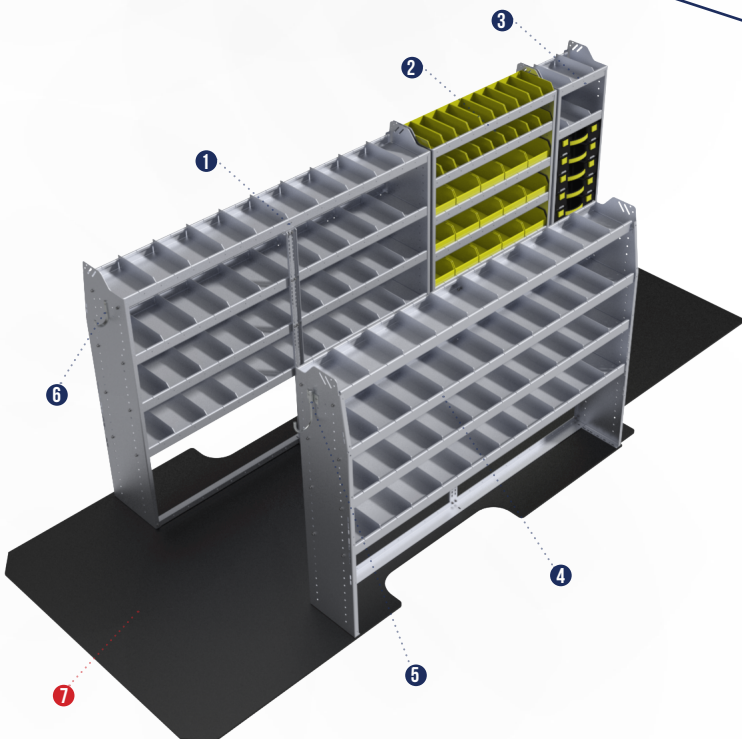
7.4



YES

## 60-MS32-P1

### PLUMBING PACKAGE



#	QTY	PART NUMBER	DESCRIPTION
1	1	21-8563-4	PROFILED BACK SHELF UNIT 84"WIDE X 15.5"DEEP X 63"HIGH WITH 4 SHELVES
2	1	23-4563-6	PROFILED BACK BIN SHELF UNIT 43"WIDE X 15.5"DEEP X 63"HIGH WITH 6 SHELVES
3	1	15-1563-8	PROFILED BACK CARRY CASE CABINET 18-7/8"WIDE X 15.5"DEEP X 63"HIGH WITH 8 CARRYCASES
4	1	21-8363-4	PROFILED BACK SHELF UNIT 84"WIDE X 13.5"DEEP X 63"HIGH WITH 4 SHELVES
5	1	30-HK-SMD	SWIVEL MEDIUM HOOK (4" OPENING)
6	1	30-HK-FMD	FIXED MEDIUM HOOK (3" OPENING)
<b>OPTIONS</b>			
7	1	31-MS30-XX	--OPTIONAL-- SEE VEHICLE SPECIFIC RIGID FLOORING SYSTEMS SECTION



437



4.7



YES

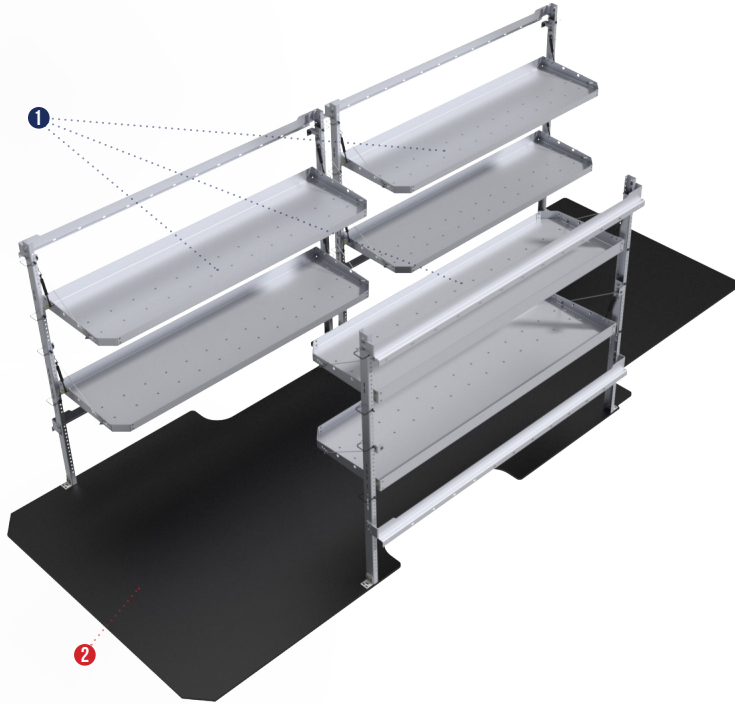
# TRADE PACKAGES



## SPRINTER 170" EXTENDED WHEELBASE HIGH ROOF

60-MS32-D1

DELIVERY PACKAGE



#	QTY	PART NUMBER	DESCRIPTION
1	3	26-7063-02	2 LEVEL FOLD-UP SHELVING UNIT, 77" WIDE X 21" DEEP X 63" HIGH
<b>OPTIONS</b>			
2	1	31-MS30-XX	--OPTIONAL-- SEE VEHICLE SPECIFIC RIGID FLOORING SYSTEMS SECTION



212



4.1



YES

### RIGID FLOORING OPTIONS FOR MERCEDES-BENZ SPRINTER 170" EXTENDED WB



**ULTRAFLOOR**

**RIGID.** 1/2" thick 100% recycled plastic composite. Extremely rigid floor is the most durable in its class. Long life, enduring extreme temperatures to avoid cracking and splitting. Non-porous surface is liquid resistant to eliminate bacteria and mold formation. Heavy-duty protection adds to end-of-lease resale value. For use under the harshest conditions including forklift loading.



**ULTRAGRIP**

**ANTI-SLIP.** Rigid 1/2" thick 100% rubber coated composite plastic. The most anti-slip rigid floor in its class. Non-porous surface is liquid resistant to eliminate bacteria and mold formation. Heavy-duty protection adds to end-of-lease resale value with added benefit of non-slip surface.



**STABILIGRIP**

**STABLE.** It is one of the only dimensional stable composite floors available on the market for cargo vehicles. It is engineered to endure all climates and temperatures without bulging or buckling. StabiliGrip is extremely durable, impact resilient, moisture resistant, rot proof, and anti-slip.

PART NUMBER	FLOOR MODEL	# PIECES	TOTAL LENGTH	TOTAL WIDTH	BETWEEN WHEELHOUSES	INSTALL (MIN.)	WEIGHT (LBS.)	OPTIONS	
								SIDE SILL	REAR SILL
31-MS30-12	ULTRAFLOOR	2	186.50 IN.	70.00 IN.	53.00 IN.	25	150	31-MS30-31	31-MS30-41
31-MS30-14	ULTRAFLOOR	4	186.50 IN.	70.00 IN.	53.00 IN.	25	150	31-MS30-31	31-MS30-41
31-MS30-22	ULTRAGRIP	2	186.50 IN.	70.00 IN.	53.00 IN.	25	168	31-MS30-31	31-MS30-41
31-MS30-24	ULTRAGRIP	4	186.50 IN.	70.00 IN.	53.00 IN.	25	168	31-MS30-31	31-MS30-41
31-MS30-02	STABILIGRIP	2	186.50 IN.	70.00 IN.	53.00 IN.	25	168	31-MS30-31	31-MS30-41
31-MS30-04	STABILIGRIP	4	186.50 IN.	70.00 IN.	53.00 IN.	25	168	31-MS30-31	31-MS30-41

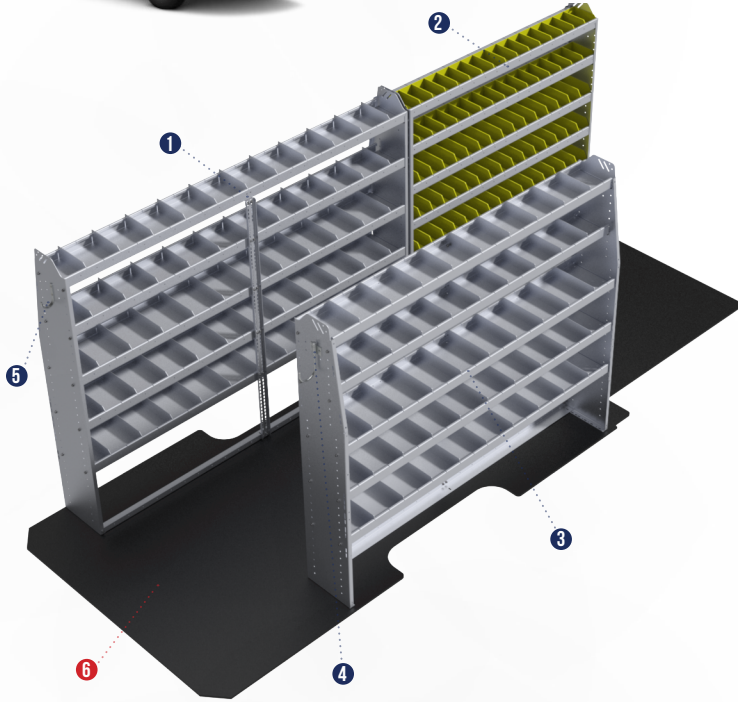
# TRADE PACKAGES

SPRINTER 170" EXTENDED WHEELBASE SUPER HIGH ROOF



## 60-MS33-C1

### CONTRACTOR PACKAGE



#	QTY	PART NUMBER	DESCRIPTION
1	1	21-9372-5	PROFILED BACK SHELF UNIT 96" WIDE X 13.5" DEEP X 72" HIGH WITH 5 SHELVES
2	1	23-6372-6	PROFILED BACK BIN SHELF UNIT 69.125" WIDE X 13.5" DEEP X 72" HIGH WITH 6 SHELVES
3	1	21-8372-5	PROFILED BACK SHELF UNIT 84" WIDE X 13.5" DEEP X 72" HIGH WITH 5 SHELVES
4	1	30-HK-SMD	SWIVEL MEDIUM HOOK (4" OPENING)
5	1	30-HK-FMD	FIXED MEDIUM HOOK (3" OPENING)
<b>OPTIONS</b>			
6	1	31-MS30-XX	--OPTIONAL-- SEE VEHICLE SPECIFIC RIGID FLOORING SYSTEMS SECTION



405



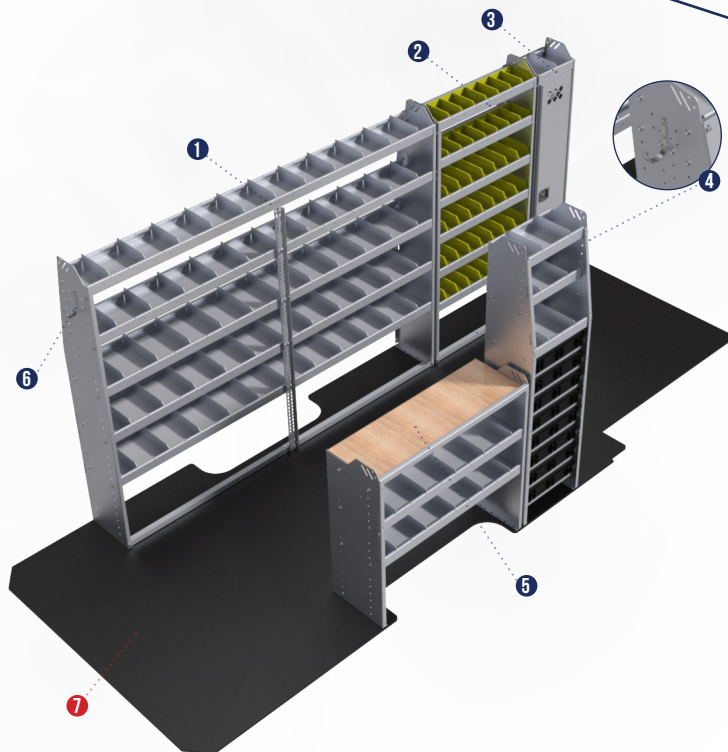
3.7



YES

## 60-MS33-E1

### ELECTRICAL PACKAGE



#	QTY	PART NUMBER	DESCRIPTION
1	1	21-9372-5	PROFILED BACK SHELF UNIT 96" WIDE X 13.5" DEEP X 72" HIGH WITH 5 SHELVES
2	1	23-3372-6	PROFILED BACK BIN SHELF UNIT 34.5" WIDE X 13.5" DEEP X 72" HIGH WITH 6 SHELVES
3	1	13-1372-3	PROFILED BACK LOCKER CABINET 14" WIDE X 13.5" DEEP X 72" HIGH WITH 3 SHELVES AND 2 HOOKS AND HANG ROD
4	1	15-1372-8	PROFILED BACK CARRY CASE CABINET 18-7/8" WIDE X 13.5" DEEP X 72" HIGH WITH 8 CARRYCASES
5	1	18-4542-2W	WORKBENCH 43" WIDE X 15.5" DEEP X 42" HIGH WITH 2 STANDARD DIVIDER SHELVES AND A 1.5" THICK HARDWOOD WORKTOP
6	1	30-HK-FMD	FIXED MEDIUM HOOK (3" OPENING)
<b>OPTIONS</b>			
7	1	31-MS30-XX	--OPTIONAL-- SEE VEHICLE SPECIFIC RIGID FLOORING SYSTEMS SECTION



464

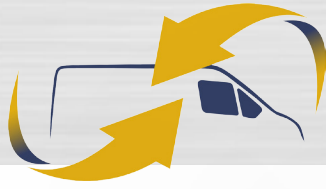


4.9



YES

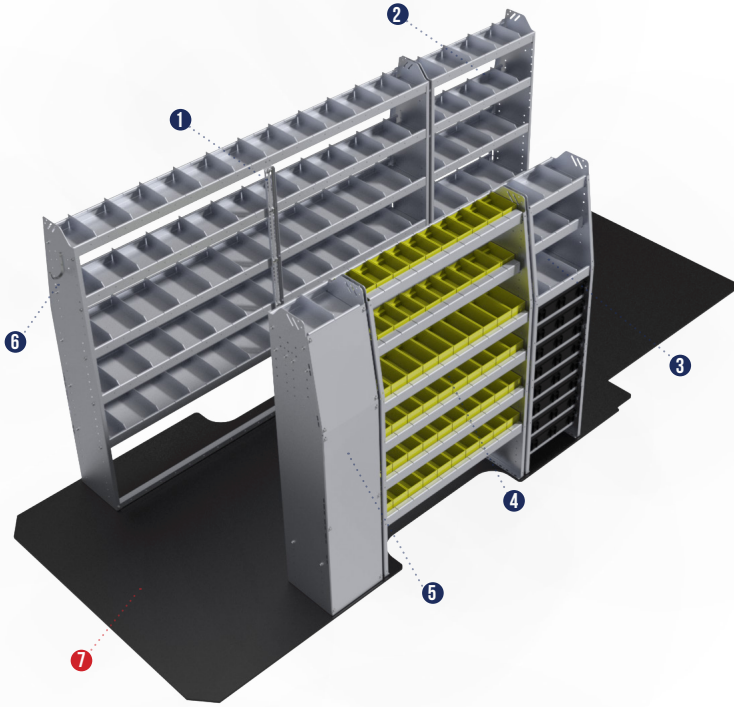
# TRADE PACKAGES



## SPRINTER 170" EXTENDED WHEELBASE SUPER HIGH ROOF

### 60-MS33-S1

### SERVICE PACKAGE



#	QTY	PART NUMBER	DESCRIPTION
1	1	21-9372-5	PROFILED BACK SHELF UNIT 96"WIDE X 13.5"DEEP X 72"HIGH WITH 5 SHELVES
2	1	21-3372-5	PROFILED BACK SHELF UNIT 36"WIDE X 13.5"DEEP X 72"HIGH WITH 5 SHELVES
3	1	15-1372-8	PROFILED BACK CARRY CASE CABINET 18-7/8"WIDE X 13.5"DEEP X 72"HIGH WITH 8 CARRYCASES
4	1	23-4372-6	PROFILED BACK BIN SHELF UNIT 43"WIDE X 13.5"DEEP X 72"HIGH WITH 6 SHELVES
5	1	13-1372-3	PROFILED BACK LOCKER CABINET 14"WIDE X 13.5"DEEP X 72"HIGH WITH 3 SHELVES AND 2 HOOKS AND HANG ROD
6	1	30-HK-FMD	FIXED MEDIUM HOOK (3" OPENING)
<b>OPTIONS</b>			
7	1	31-MS30-XX	--OPTIONAL-- SEE VEHICLE SPECIFIC RIGID FLOORING SYSTEMS SECTION

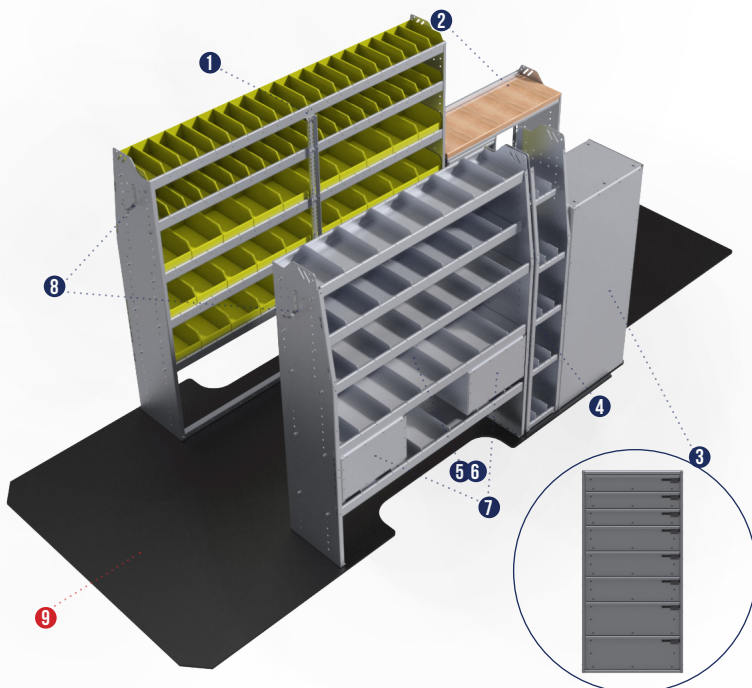
457

4.3

YES

### 60-MS33-W1

### WORKSTATION PACKAGE



#	QTY	PART NUMBER	DESCRIPTION
1	1	23-8572-5	PROFILED BACK BIN SHELF UNIT 86.375"WIDE X 15.5"DEEP X 72"HIGH WITH 5 SHELVES
2	1	18-4536-LD	WORKBENCH 43"WIDE X 15.5"DEEP X 36"HIGH WITH A 6 DRAWER UNIT ON LEFT HAND SIDE
3	1	16-2556-532	TOOL DRAWER 24" WIDE X 15.5" DEEP X 55-11/16" HIGH WITH 10 DRAWERS
4	1	29-1572-5	PROFILED BACK BOOKSHELF, 11"WIDE X 15.5"DEEP X 72"HIGH WITH 5 SHELVES
5	1	21-5572-5	PROFILED BACK SHELF UNIT 56"WIDE X 15.5"DEEP X 72"HIGH WITH 5 SHELVES
6	1	DO-156	LOCKING DOOR FOR 56"WIDE SHELVING UNIT
7	2	16-1512-110	TOOL DRAWER 24" WIDE X 15.5" DEEP X 11-11/16" HIGH WITH 2 DRAWERS
8	2	30-HK-FMD	FIXED MEDIUM HOOK (3" OPENING)
<b>OPTIONS</b>			
9	1	31-MS30-XX	--OPTIONAL-- SEE VEHICLE SPECIFIC RIGID FLOORING SYSTEMS SECTION

668

7.1

YES

# TRADE PACKAGES

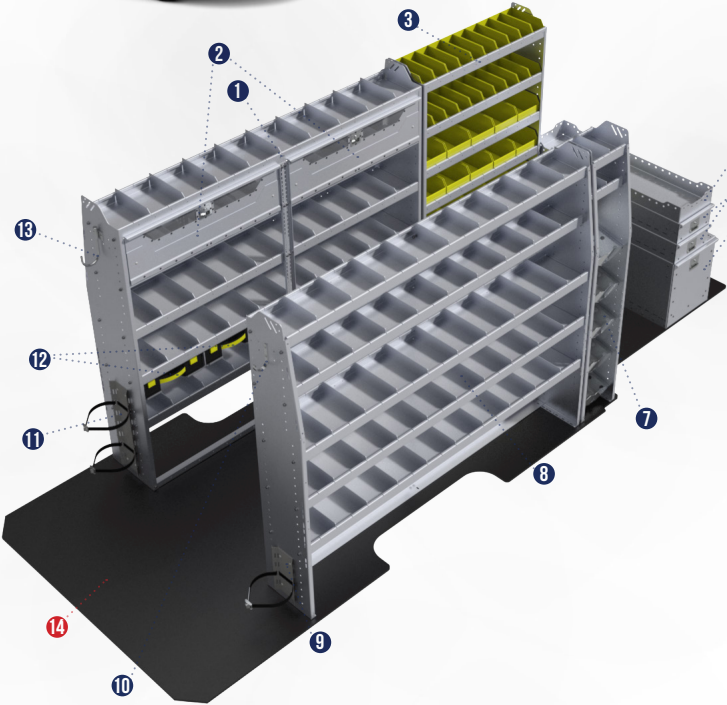


SPRINTER 170" EXTENDED WHEELBASE SUPER HIGH ROOF



## 60-MS33-H1

## HVAC PACKAGE



#	QTY	PART NUMBER	DESCRIPTION
1	1	21-8572-5	PROFILED BACK SHELF UNIT 84"WIDE X 15.5"DEEP X 72"HIGH WITH 5 SHELVES
2	1	DO-184	2-SET LOCKING DOOR KIT FOR 84"WIDE SHELVING UNIT
3	1	23-4572-6	PROFILED BACK BIN SHELF UNIT 43"WIDE X 15.5"DEEP X 72"HIGH WITH 6 SHELVES
4	1	30-TE-34	TOP EDGE FOR DRAWER CABINET 13.5"WIDE X 48"DEEP
5	2	11-3406-0	DRAWER CABINET 13.5"WIDE X 48"DEEP X 6"HIGH
6	1	11-8420-0	DRAWER CABINET 18"WIDE X 48"DEEP X 20"HIGH
7	1	33-S372-5	PROFILED BACK REFRIGERANT SHELF UNIT 12.45"WIDE X 13.5"DEEP X 72"HIGH FOR 5 SMALL BOTTLES
8	1	21-8372-5	PROFILED BACK SHELF UNIT 84"WIDE X 13.5"DEEP X 72"HIGH WITH 5 SHELVES
9	1	30-BH-SM	SMALL BOTTLE HOLDER
10	1	30-HK-FMD	FIXED MEDIUM HOOK (3" OPENING)
11	1	30-BH-LG	LARGE BOTTLE HOLDER
12	2	30-CCH-SK	UNDER SHELF CARRY CASE HOLDER W/CASE
13	1	30-HK-SMD	SWIVEL MEDIUM HOOK (4" OPENING)
<b>OPTIONS</b>			
14	1	31-MS30-XX	--OPTIONAL-- SEE VEHICLE SPECIFIC RIGID FLOORING SYSTEMS SECTION



603



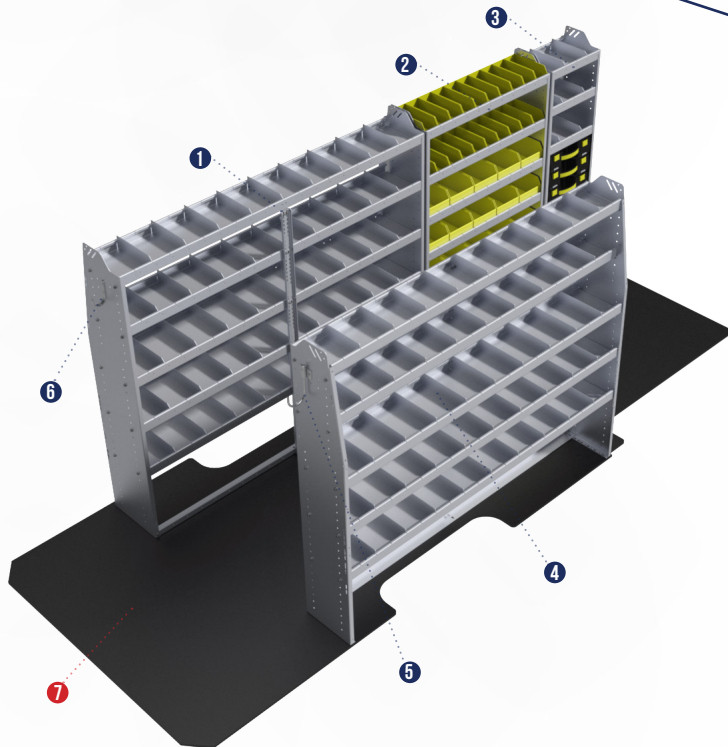
7.4



YES

## 60-MS33-P1

## PLUMBING PACKAGE



#	QTY	PART NUMBER	DESCRIPTION
1	1	21-8572-5	PROFILED BACK SHELF UNIT 84"WIDE X 15.5"DEEP X 72"HIGH WITH 5 SHELVES
2	1	23-4572-6	PROFILED BACK BIN SHELF UNIT 43"WIDE X 15.5"DEEP X 72"HIGH WITH 6 SHELVES
3	1	15-1572-8	PROFILED BACK CARRY CASE CABINET 18-7/8"WIDE X 15.5"DEEP X 72"HIGH WITH 8 CARRYCASES
4	1	21-8372-5	PROFILED BACK SHELF UNIT 84"WIDE X 13.5"DEEP X 72"HIGH WITH 5 SHELVES
5	1	30-HK-SMD	SWIVEL MEDIUM HOOK (4" OPENING)
6	1	30-HK-FMD	FIXED MEDIUM HOOK (3" OPENING)
<b>OPTIONS</b>			
7	1	31-MS30-XX	--OPTIONAL-- SEE VEHICLE SPECIFIC RIGID FLOORING SYSTEMS SECTION



484



4.7



YES

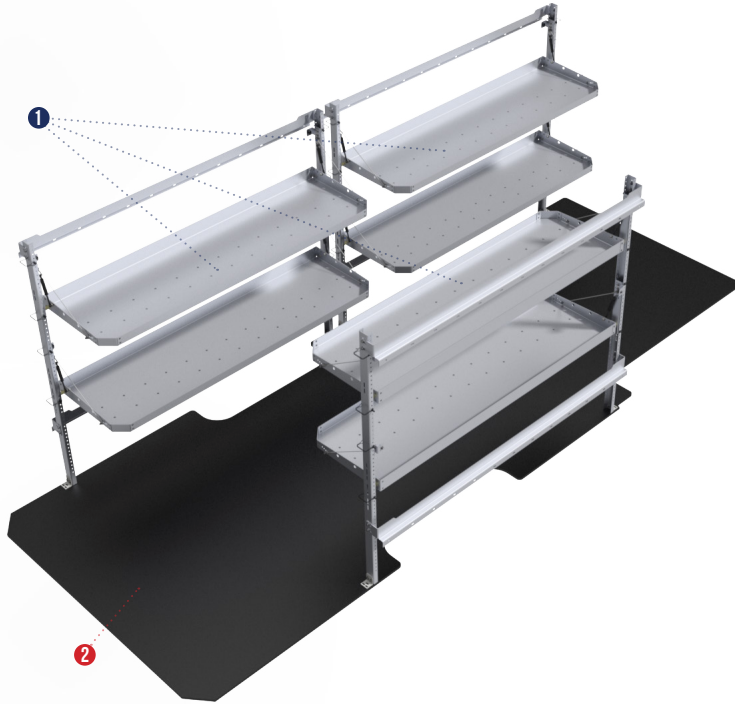
# TRADE PACKAGES



## SPRINTER 170" EXTENDED WHEELBASE SUPER HIGH ROOF

60-MS33-D1

DELIVERY PACKAGE



#	QTY	PART NUMBER	DESCRIPTION
1	3	26-7072-30	3 LEVEL FOLD-UP SHELVING UNIT, 77" WIDE X 18" DEEP X 72" HIGH
<b>OPTIONS</b>			
2	1	31-MS30-XX	--OPTIONAL-- SEE VEHICLE SPECIFIC RIGID FLOORING SYSTEMS SECTION



272

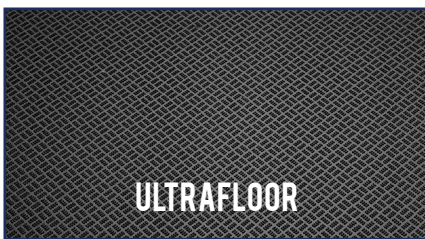


4.1



YES

### RIGID FLOORING OPTIONS FOR MERCEDES-BENZ SPRINTER 170" EXTENDED WB



**ULTRAFLOOR**

**RIGID.** 1/2" thick 100% recycled plastic composite. Extremely rigid floor is the most durable in its class. Long life, enduring extreme temperatures to avoid cracking and splitting. Non-porous surface is liquid resistant to eliminate bacteria and mold formation. Heavy-duty protection adds to end-of-lease resale value. For use under the harshest conditions including forklift loading.



**ULTRAGRIP**

**ANTI-SLIP.** Rigid 1/2" thick 100% rubber coated composite plastic. The most anti-slip rigid floor in its class. Non-porous surface is liquid resistant to eliminate bacteria and mold formation. Heavy-duty protection adds to end-of-lease resale value with added benefit of non-slip surface.



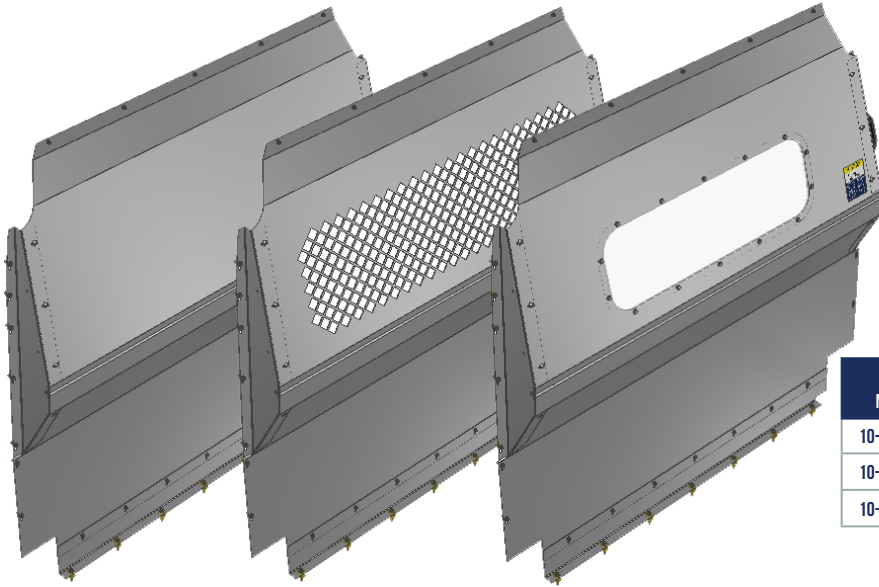
**STABILIGRIP**

**STABLE.** It is one of the only dimensional stable composite floors available on the market for cargo vehicles. It is engineered to endure all climates and temperatures without bulging or buckling. StabiliGrip is extremely durable, impact resilient, moisture resistant, rot proof, and anti-slip.

PART NUMBER	FLOOR MODEL	# PIECES	TOTAL LENGTH	TOTAL WIDTH	BETWEEN WHEELHOUSES	INSTALL (MIN.)	WEIGHT (LBS.)	OPTIONS	
								SIDE SILL	REAR SILL
31-MS30-12	ULTRAFLOOR	2	186.50 IN.	70.00 IN.	53.00 IN.	25	150	31-MS30-31	31-MS30-41
31-MS30-14	ULTRAFLOOR	4	186.50 IN.	70.00 IN.	53.00 IN.	25	150	31-MS30-31	31-MS30-41
31-MS30-22	ULTRAGRIP	2	186.50 IN.	70.00 IN.	53.00 IN.	25	168	31-MS30-31	31-MS30-41
31-MS30-24	ULTRAGRIP	4	186.50 IN.	70.00 IN.	53.00 IN.	25	168	31-MS30-31	31-MS30-41
31-MS30-02	STABILIGRIP	2	186.50 IN.	70.00 IN.	53.00 IN.	25	168	31-MS30-31	31-MS30-41
31-MS30-04	STABILIGRIP	4	186.50 IN.	70.00 IN.	53.00 IN.	25	168	31-MS30-31	31-MS30-41

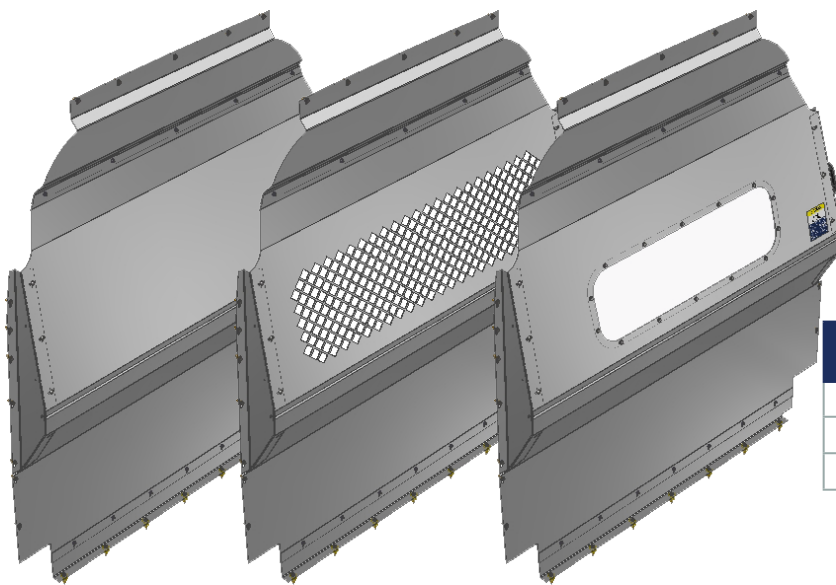
# TRADE PACKAGES

## PARTITIONS



**INSIDE ROOF HEIGHT**  
REGULAR ROOF: 66.5"

PART NUMBER	DESCRIPTION	FITS:	WEIGHT (LBS.)
10-MS01-121	PROFILED SOLID PARTITION	REGULAR ROOF	51
10-MS01-122	PROFILED PERFORATED PARTITION	REGULAR ROOF	48
10-MS01-123	PROFILED WINDOW PARTITION	REGULAR ROOF	49

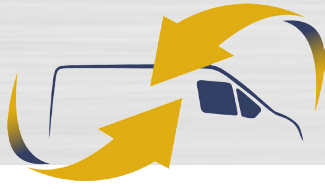


**INSIDE ROOF HEIGHT**  
HIGH ROOF: 77"

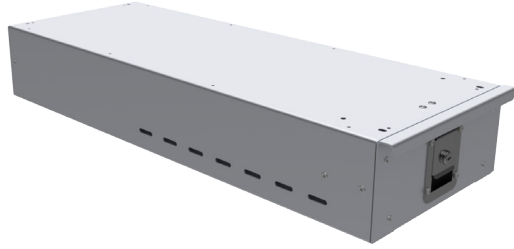
PART NUMBER	DESCRIPTION	FITS:	WEIGHT (LBS.)
10-MS02-121	PROFILED SOLID PARTITION	HIGH ROOF	56
10-MS02-122	PROFILED PERFORATED PARTITION	HIGH ROOF	53
10-MS02-123	PROFILED WINDOW PARTITION	HIGH ROOF	54



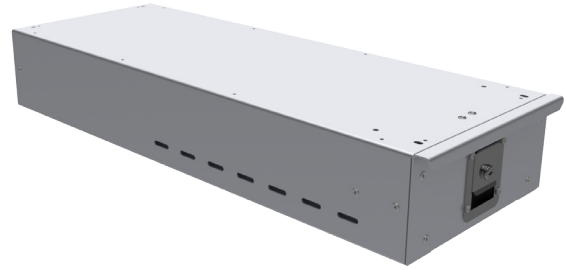
# TRADE PACKAGES



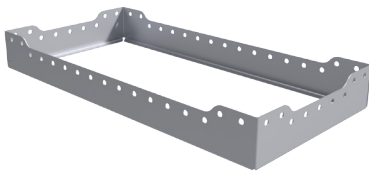
## ACCESSORIES



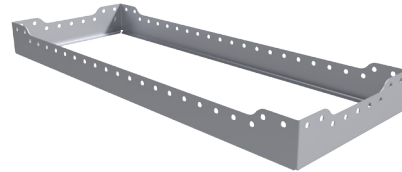
PART NUMBER	DESCRIPTION	DEEP (IN.)	WIDE (IN.)	HIGH (IN.)	DIVIDERS	WEIGHT (LBS.)
11-8320-0	DRAWER CABINET	36	13.5	6	4	24.2



PART NUMBER	DESCRIPTION	DEEP (IN.)	WIDE (IN.)	HIGH (IN.)	DIVIDERS	WEIGHT (LBS.)
11-8420-0	DRAWER CABINET	48	13.5	6	5	30.5



PART NUMBER	DESCRIPTION	DEEP (IN.)	WIDE (IN.)	HIGH (IN.)	FITS :	WEIGHT (LBS.)
30-TE-33	TOP EDGE	36	13.5	4.5	11-3306-0	4.35



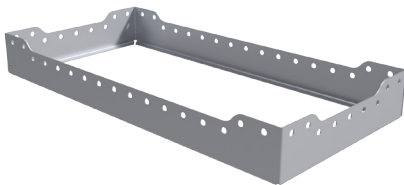
PART NUMBER	DESCRIPTION	DEEP (IN.)	WIDE (IN.)	HIGH (IN.)	FITS :	WEIGHT (LBS.)
30-TE-34	TOP EDGE	48	13.5	4.5	11-3406-0	4.79



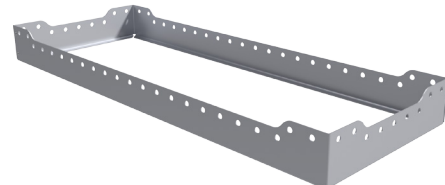
PART NUMBER	DESCRIPTION	DEEP (IN.)	WIDE (IN.)	HIGH (IN.)	BOLT DOWN BRACKET	WEIGHT (LBS.)
11-8320-0	DRAWER CABINET	36	18	20	30-FH-3	58.74



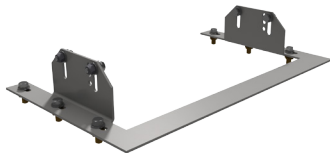
PART NUMBER	DESCRIPTION	DEEP (IN.)	WIDE (IN.)	HIGH (IN.)	BOLT DOWN BRACKET	WEIGHT (LBS.)
11-8420-0	DRAWER CABINET	48	18	20	30-FH-8	72.77



PART NUMBER	DESCRIPTION	DEEP (IN.)	WIDE (IN.)	HIGH (IN.)	FITS :	WEIGHT (LBS.)
30-TE-83	TOP EDGE	36	13.5	4.5	11-8320-0	5.34



PART NUMBER	DESCRIPTION	DEEP (IN.)	WIDE (IN.)	HIGH (IN.)	FITS :	WEIGHT (LBS.)
30-TE-84	TOP EDGE	48	18	4.5	11-8420-0	5.78



PART NUMBER	DESCRIPTION	FITS :	MATERIAL	WEIGHT (LBS.)
30-FH-3	DRAWER BOLT DOWN BRACKET	11-3306-0 AND 11-3406-0	GALV. STEEL	3



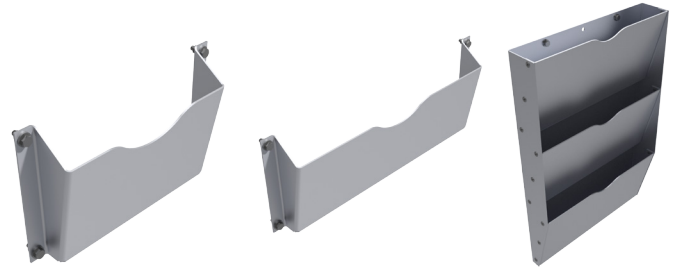
PART NUMBER	DESCRIPTION	FITS :	MATERIAL	WEIGHT (LBS.)
30-FH-8	DRAWER BOLT DOWN BRACKET	11-8320-0 AND 11-8420-0	GALV. STEEL	4

# TRADE PACKAGES

## ACCESSORIES



PART NUMBER	DESCRIPTION	OPENING RADIUS	DEEP (IN.)	WIDE (IN.)	HIGH (IN.)	WEIGHT (LBS.)
30-HK-CSM	SMALL COAT HOOK (ZINC)	0.625"	1.5"	0.61"	3.11"	0.133
30-HK-CMD	MEDIUM COAT HOOK (ZINC)	1.25"	1.7"	1.5"	2.03"	0.123



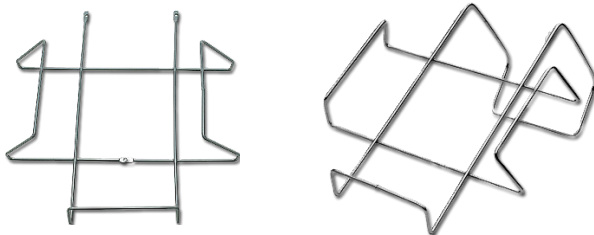
PART NUMBER	DESCRIPTION	DOCUMENT SIZE	DEEP (IN.)	WIDE (IN.)	HIGH (IN.)	WEIGHT (LBS.)
30-DH-LTR-1	SINGLE DOCUMENT HOLDER	LETTER	2.1"	11.5"	7"	0.8
30-DH-LGL-1	SINGLE DOCUMENT HOLDER	LEGAL	2.1"	18"	7"	0.9
30-DH-LGL-3	TRIPLE DOCUMENT HOLDER	LEGAL	3.25"	16"	24"	3.6



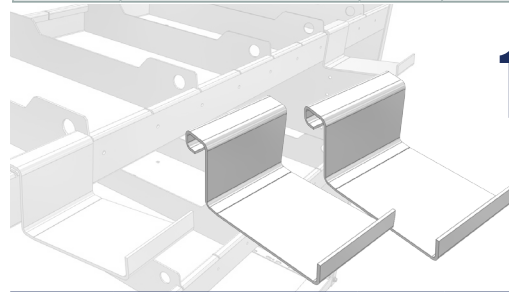
PART NUMBER	DESCRIPTION	OPENING RADIUS	DEEP (IN.)	WIDE (IN.)	HIGH (IN.)	WEIGHT (LBS.)
30-HK-FSM	FIXED SMALL HOOK	2"	2.0"	0.75"	4.75"	0.11
30-HK-FMD	FIXED MEDIUM HOOK	3"	3.0"	0.75"	5.25"	0.16
30-HK-FLG	FIXED LARGE HOOK	4"	4.0"	0.75"	5.75"	0.16



PART NUMBER	DESCRIPTION	OPENING RADIUS	DEEP (IN.)	WIDE (IN.)	HIGH (IN.)	WEIGHT (LBS.)
30-HK-SSM	SWIVEL SMALL HOOK	3"	3.86"	3"	7.75"	0.41
30-HK-SMD	SWIVEL MEDIUM HOOK	4"	4.86"	3"	8.25"	0.44
30-HK-SLG	SWIVEL LARGE HOOK	5"	5.86"	5"	8.75"	0.47



PART NUMBER	DESCRIPTION	MATERIAL	DEEP (IN.)	WIDE (IN.)	HIGH (IN.)	WEIGHT (LBS.)
30-HH-WM	WALL MOUNTED HARD HAT HOLDER	STEEL	11.750"	12.250"	3.250"	0.437
30-HH-HR	HEAD REST MOUNT HARD HAT HOLDER	STEEL	11.750"	12.250"	3.250"	0.491



**1 PAIR**

PART NUMBER	DESCRIPTION	MATERIAL	DEEP (IN.)	WIDE (IN.)	HIGH (IN.)	WEIGHT (LBS.)
30-HK-MSL	MOVABLE STEP LADDER SHELF HOOKS	ALUM (125)	6.750"	4.000"	3.125"	1.36

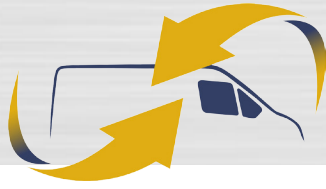


PART NUMBER	DESCRIPTION	DEEP (IN.)	WIDE (IN.)	HIGH (IN.)	WEIGHT (LBS.)
30-CH-12	SPRAY CAN HOLDER W/POCKET	4.00"	9.94"	8.82"	1.36

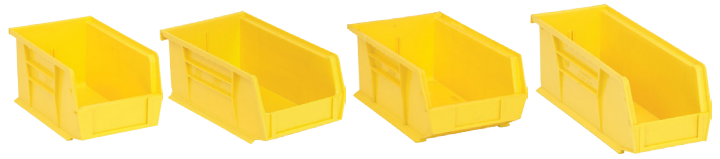


PART NUMBER	DESCRIPTION	DEEP (IN.)	WIDE (IN.)	HIGH (IN.)	WEIGHT (LBS.)
30-CH-23	CAULKING TUBE HOLDER	3.5"	9.94"	8.82"	1.36

# TRADE PACKAGES



## ACCESSORIES

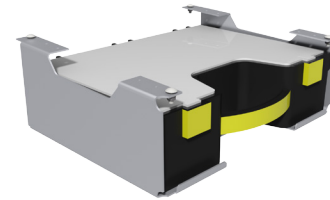


PART NUMBER	DESCRIPTION	MATERIAL	DEEP (IN.)	WIDE (IN.)	HIGH (IN.)	WEIGHT (LBS.)
30-HS-07	HITCH MOUNTED STEP	ALUMINUM	7"	18"	2.5"	6.3

PART NUMBER	DESCRIPTION	DEEP (IN.)	WIDE (IN.)	HIGH (IN.)	WEIGHT (LBS.)	COLOUR
SH-BIN	SHORT STORAGE BIN	7.375"	4.125"	3.000"	0.20	YELLOW
SM-BIN	SMALL STORAGE BIN	9.250"	6.000"	5.000"	0.63	YELLOW
MD-BIN	MEDIUM STORAGE BIN	10.875"	4.125"	4.000"	0.48	YELLOW
LG-BIN	LARGE STORAGE BIN	13.625"	8.500"	6.000"	1.33	YELLOW



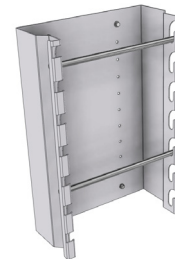
PART NUMBER	DESCRIPTION	DIAMETER (IN.)	HIGH (IN.)	COLOUR	BASE	WEIGHT (LBS.)
30-FLT-BLK	FLETTNER TCX-2 VENTILATOR	10.2"	6.54"	BLACK	STD	1.84
30-FLT-WHT	FLETTNER TCX-2 VENTILATOR	10.2"	6.54"	WHITE	STD	1.84
30-FLT-BLK-NW	FLETTNER TCX-2 VENTILATOR	3.9"	6.0"	BLACK	NRW	1.84
30-FLT-EXT	FLETTNER TCX-2 VENT. EXTENSION	3.9"	6.0"	BLACK	STD	0.45



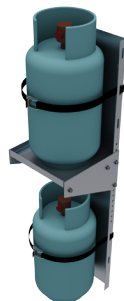
PART NUMBER	DESCRIPTION	CARRYCASE INCLUDED	DEEP (IN.)	WIDE (IN.)	HIGH (IN.)	WEIGHT (LBS.)
30-CCH-SK	UNDER SHELF CARRYCASE HOLDER	YES	13.750"	16.810"	6.000"	3.44



PART NUMBER	DESCRIPTION	COMPARTMENTS	DEEP (IN.)	WIDE (IN.)	HIGH (IN.)	WEIGHT (LBS.)
30-CCO-10	CARRYCASE ORGANIZER	10	13.500"	16.750"	4.250"	4.85



PART NUMBER	DESCRIPTION	REEL GUIDES	DEEP (IN.)	WIDE (IN.)	HIGH (IN.)	WEIGHT (LBS.)
30-CRH-24	CABLE REEL HOLDER	2	7.00"	15.50"	24.00"	8.04



PART NUMBER	DESCRIPTION	DEEP (IN.)	WIDE (IN.)	HIGH (IN.)	WEIGHT (LBS.)	CAM BUCKLES
30-TBH	TWIN BOTTLE HOLDER	11.10"	11.00"	44.00"	8.74	2X 48" STRAP



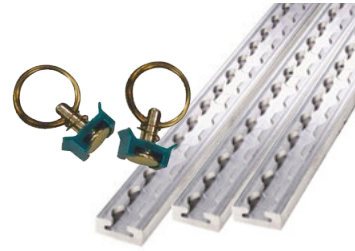
PART NUMBER	DESCRIPTION	MATERIAL	DEEP (IN.)	WIDE (IN.)	HIGH (IN.)	WEIGHT (LBS.)
30-BH-SM	BOTTLE HOLDER (SMALL) 1X 48" STRAP	ALUM.	0.96"	6.000"	12.00"	1.01
30-BH-LG	BOTTLE HOLDER (LARGE) 2X 48" STRAP	ALUM.	0.96"	6.750"	24.00"	1.50

# TRADE PACKAGES

## ACCESSORIES



PART NUMBER	DESCRIPTION	DEEP (IN.)	WIDE (IN.)	HIGH (IN.)	MATERIAL	WEIGHT (LBS.)
108539	FIRST-AID KIT	8.25	5.25	2.75	PLASTIC	0.85
30-FAH-1	BRACKET FOR FIRST-AID KIT	36	13.5	6	ALUMINUM	2.42



PART NUMBER	DESCRIPTION	UNIT	MATERIAL
460-301	SERIES L LOGISTIC TRACK	100"	ALUMINUM
454-301	SERIES L STUD FITTING WITH RING	EA.	STEEL AND ALUMINUM



PART NUMBER	DESCRIPTION	LENGTH	WIDTH	MATERIAL	WEIGHT (LBS.)
30-CBS-24	STRAP WITH CAMBUCKLE	24	1	NYLON	.23
30-CBS-36	STRAP WITH CAMBUCKLE	36	1	NYLON	.33
30-CBS-48	STRAP WITH CAMBUCKLE	48	1	NYLON	.40
30-CBS-72	STRAP WITH CAMBUCKLE	72	1	NYLON	.45



PART NUMBER	DESCRIPTION	CAPACITY	TYPE	PSI	MOUNT TYPE	WEIGHT (LBS.)
SAQ814	FIRE EXTINGUISHER	2.5LBS	ABC	150	VEHICLE	4.25
SC946	FIRE EXTINGUISHER	5LBS	ABC	195	VEHICLE	10.5



PART NUMBER	DESCRIPTION	DIAMETER	LUMENS	VOLTAGE	LENS
701-041	LED DOME LAMP	6.125	648	12 VDC	CLEAR



PART NUMBER	DESCRIPTION	BEAN	VOLTS	WATTS	LUMENS
709-713	LED WORK LAMP	FLOOD	10-30 VDC	42	3360



1 PAIR

PART NUMBER	DESCRIPTION	DEEP (IN.)	WIDE (IN.)	HIGH (IN.)	WEIGHT (LBS.)	COLOUR
30-QFC-01	QUICK FIST CLAMP	2.875"	0.750"	2.500"	0.31	BLACK



PART NUMBER	DESCRIPTION	DEEP (IN.)	WIDE (IN.)	HIGH (IN.)	WEIGHT (LBS.)	COLOUR
30-HDL-PL	GRAB HANDLE	9.250"	6.000"	5.000"	0.63	BLACK



PART NUMBER	DESCRIPTION	SIZE (IN.)	HIGH (IN.)	AMPS	VOLTAGE
102177	LOW PROFILE LED MINIBAR	16.5" X 8.25"	3.625"	3	12-24VDC
110599	LED ROTATOR BEACON	7" DIAM.	5.25	1.3	12-24VDC



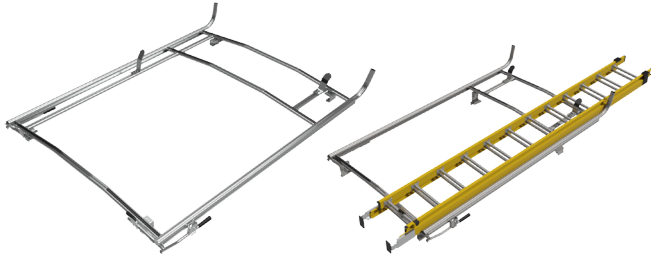
PART NUMBER	DESCRIPTION	DEEP	WIDE	HIGH	MATERIAL	WEIGHT (LBS.)
71422	3-TRIANGLE FLARE KIT	18.5"	5"	5"	PLASTIC	15.55
30-FKH-1	BRACKET (FLARE KIT)	36	13.5	6	ALUMINUM	24.2

# TRADE PACKAGES



## LADDER AND STEP LADDER RACKS

### CONTRACTOR - PLUMBER - ELECTRICIAN

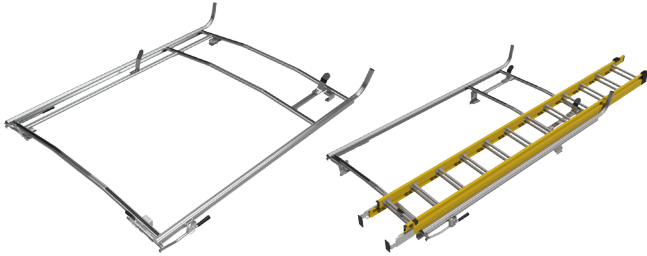


### HVAC

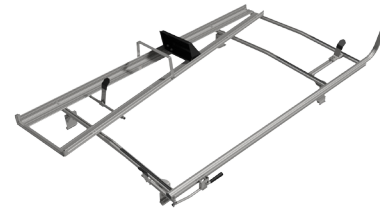


PART NUMBER	RECOMMENDED TRADE	DRIVER SIDE	PASSENGER SIDE		WEIGHT (LBS.)	INSTALL	OPTIONS					
							4" TUBE	6" TUBE	2ND STEPLADDER OPTION (4'-6')			
CALL	CONTRACTOR/PLUMBER/ELECTRICIAN		8'-10'	FIXED	FIXED	MAX 28'		65	2H00	T4	T6	N/A
US	CONTRACTOR/PLUMBER/ELECTRICIAN		6'-8'	DROP	DROP	MAX 28'		115	2H00	N/A	N/A	N/A
TO	HVAC		6'-8'	FIXED	FIXED	MAX 28'		65	2H00	N/A	N/A	SL2
CONFIGURE	HVAC		6'-8'	FIXED	DROP	MAX 28'		115	2H00	N/A	N/A	SL2

### CONTRACTOR - PLUMBER - ELECTRICIAN



### HVAC

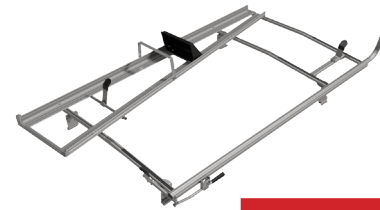


PART NUMBER	RECOMMENDED TRADE	DRIVER SIDE	PASSENGER SIDE		WEIGHT (LBS.)	INSTALL	OPTIONS					
							4" TUBE	6" TUBE	2ND STEPLADDER OPTION (4'-6')			
CALL	CONTRACTOR/PLUMBER/ELECTRICIAN		6'-8'	DROP	DROP	MAX 28'		115	2H00	N/A	N/A	N/A
US	HVAC		6'-8'	FIXED	DROP	MAX 28'		115	2H00	N/A	N/A	SL2

### CONTRACTOR - PLUMBER - ELECTRICIAN



### HVAC



PART NUMBER	RECOMMENDED TRADE	DRIVER SIDE	PASSENGER SIDE		WEIGHT (LBS.)	INSTALL	OPTIONS					
							4" TUBE	6" TUBE	2ND STEPLADDER OPTION (4'-6')			
CALL	CONTRACTOR/PLUMBER/ELECTRICIAN		6'-8'	DROP	DROP	MAX 28'		115	2H00	N/A	N/A	N/A
US	HVAC		6'-8'	FIXED	DROP	MAX 28'		115	2H00	N/A	N/A	SL2
TO	CONTRACTOR/PLUMBER/ELECTRICIAN		6'-8'	DROP	DROP	MAX 28'		115	2H00	N/A	N/A	N/A
CONFIGURE	HVAC		6'-8'	FIXED	DROP	MAX 28'		115	2H00	N/A	N/A	SL2







**YOUR DEALER:**

**DEALERS@GWAKITS.COM**

**G.W. ANGLIN MANUFACTURING INC.**

**CUSTOMER SERVICE:  
1.888.GWA.KITS (492-5487)  
CS@GWAKITS.COM**

**WWW.GWAKITS.COM  
INFO@GWAKITS.COM**